

JVC

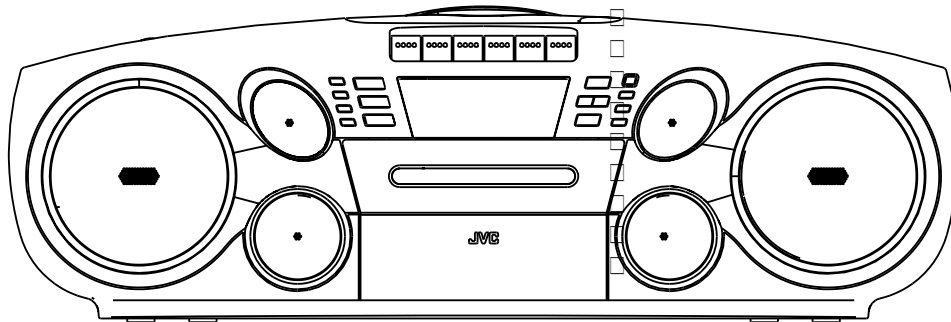
SERVICE MANUAL

CD PORTABLE SYSTEM

RC-BM5

Area suffix

J ----- U.S.A.
C ----- Canada



COMPACT
disc
DIGITAL AUDIO

Contents

Safety precautions	1-2	Trouble shooting	1-19
Preventing static electricity	1-3	Flow of functional operation	
Important for laser products	1-4	until TOC read	1-20
Importance administering point		Maintenance of laser pickup	1-21
on the safety	1-5	Replacement of laser pickup	1-21
Disassembly method	1-6	Description of major ICs	1-22
Adjustment method	1-16	Wiring connection	1-37

Safety Precautions

1. This design of this product contains special hardware and many circuits and components specially for safety purposes. For continued protection, no changes should be made to the original design unless authorized in writing by the manufacturer. Replacement parts must be identical to those used in the original circuits. Services should be performed by qualified personnel only.
2. Alterations of the design or circuitry of the product should not be made. Any design alterations of the product should not be made. Any design alterations or additions will void the manufacturer's warranty and will further relieve the manufacture of responsibility for personal injury or property damage resulting therefrom.
3. Many electrical and mechanical parts in the products have special safety-related characteristics. These characteristics are often not evident from visual inspection nor can the protection afforded by them necessarily be obtained by using replacement components rated for higher voltage, wattage, etc. Replacement parts which have these special safety characteristics are identified in the Parts List of Service Manual. Electrical components having such features are identified by shading on the schematics and by (\triangle) on the Parts List in the Service Manual. The use of a substitute replacement which does not have the same safety characteristics as the recommended replacement parts shown in the Parts List of Service Manual may create shock, fire, or other hazards.
4. The leads in the products are routed and dressed with ties, clamps, tubings, barriers and the like to be separated from live parts, high temperature parts, moving parts and/or sharp edges for the prevention of electric shock and fire hazard. When service is required, the original lead routing and dress should be observed, and it should be confirmed that they have been returned to normal, after re-assembling.

5. Leakage current check (Electrical shock hazard testing)

After re-assembling the product, always perform an isolation check on the exposed metal parts of the product (antenna terminals, knobs, metal cabinet, screw heads, headphone jack, control shafts, etc.) to be sure the product is safe to operate without danger of electrical shock.

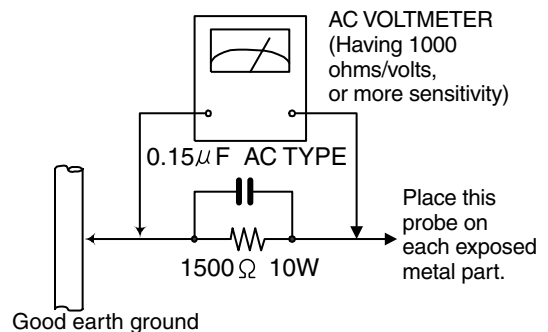
Do not use a line isolation transformer during this check.

- Plug the AC line cord directly into the AC outlet. Using a "Leakage Current Tester", measure the leakage current from each exposed metal parts of the cabinet, particularly any exposed metal part having a return path to the chassis, to a known good earth ground. Any leakage current must not exceed 0.5mA AC (r.m.s.).

- Alternate check method

Plug the AC line cord directly into the AC outlet. Use an AC voltmeter having, 1,000 ohms per volt or more sensitivity in the following manner. Connect a 1,500 Ω 10W resistor paralleled by a 0.15 μ F AC-type capacitor between an exposed metal part and a known good earth ground. Measure the AC voltage across the resistor with the AC voltmeter.

Move the resistor connection to each exposed metal part, particularly any exposed metal part having a return path to the chassis, and measure the AC voltage across the resistor. Now, reverse the plug in the AC outlet and repeat each measurement. Voltage measured any must not exceed 0.75 V AC (r.m.s.). This corresponds to 0.5 mA AC (r.m.s.).



Warning

1. This equipment has been designed and manufactured to meet international safety standards.
2. It is the legal responsibility of the repairer to ensure that these safety standards are maintained.
3. Repairs must be made in accordance with the relevant safety standards.
4. It is essential that safety critical components are replaced by approved parts.
5. If mains voltage selector is provided, check setting for local voltage.

CAUTION

Burrs formed during molding may be left over on some parts of the chassis. Therefore, pay attention to such burrs in the case of preforming repair of this system.

In regard with component parts appearing on the silk-screen printed side (parts side) of the PWB diagrams, the parts that are printed over with black such as the resistor (■), diode (▣) and ICP (●) or identified by the \triangle mark nearby are critical for safety.

(This regulation does not correspond to J and C version.)

Preventing static electricity

1. Grounding to prevent damage by static electricity

Electrostatic discharge (ESD), which occurs when static electricity stored in the body, fabric, etc. is discharged, can destroy the laser diode in the traverse unit (optical pickup). Take care to prevent this when performing repairs.

2. About the earth processing for the destruction prevention by static electricity

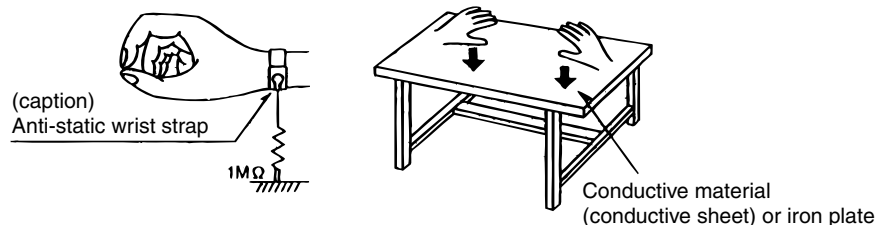
Static electricity in the work area can destroy the optical pickup (laser diode) in devices such as CD players. Be careful to use proper grounding in the area where repairs are being performed.

2-1 Ground the workbench

Ground the workbench by laying conductive material (such as a conductive sheet) or an iron plate over it before placing the traverse unit (optical pickup) on it.

2-2 Ground yourself

Use an anti-static wrist strap to release any static electricity built up in your body.



3. Handling the optical pickup

1. In order to maintain quality during transport and before installation, both sides of the laser diode on the replacement optical pickup are shorted. After replacement, return the shorted parts to their original condition. (Refer to the text.)
2. Do not use a tester to check the condition of the laser diode in the optical pickup. The tester's internal power source can easily destroy the laser diode.

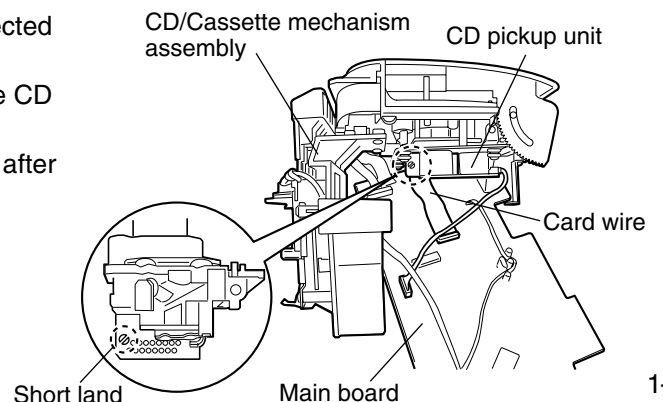
4. Handling the traverse unit (optical pickup)

1. Do not subject the traverse unit (optical pickup) to strong shocks, as it is a sensitive, complex unit.
2. Remove solder of the short land on the flexible wire after replacing the optical pickup. For specific details, refer to the replacement procedure in the text. Remove the anti-static pin when replacing the traverse unit. Be careful not to take too long a time when attaching it to the connector.
3. Handle the flexible wire carefully as it may break when subjected to strong force.
4. It is not possible to adjust the semi-fixed resistor that adjusts the laser power. Do not turn it.

5. Attention when traverse unit is decomposed

***Please refer to "Disassembly method" in the text for the CD pickup unit.**

- Apply solder to the short land before the card wire is disconnected from the connector on the main board.
(If the flexible wire is disconnected without applying solder, the CD pickup may be destroyed by static electricity.)
- In the assembly, be sure to remove solder from the short land after connecting the card wire.



Important for laser products

1. CLASS 1 LASER PRODUCT

2. DANGER : Invisible laser radiation when open and interlock failed or defeated. Avoid direct exposure to beam.

3. CAUTION : There are no serviceable parts inside the Laser Unit. Do not disassemble the Laser Unit. Replace the complete Laser Unit if it malfunctions.

4. CAUTION : The compact disc player uses invisible laserradiation and is equipped with safety switches which prevent emission of radiation when the drawer is open and the safety interlocks have failed or are defeated. It is dangerous to defeat the safety switches.

5. CAUTION : If safety switches malfunction, the laser is able to function.

6. CAUTION : Use of controls, adjustments or performance of procedures other than those specified herein may result in hazardous radiation exposure.



CAUTION Please use enough caution not to see the beam directly or touch it in case of an adjustment or operation check.

VARNING : Osynlig laserstrålning när denna del är öppnad och spårren är urkopplad. Betrakta ej strålen.

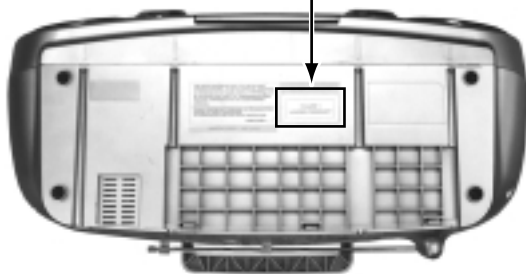
VARO : Avattaessa ja suojalukitus ohitettaessa olet alltiina näkymättömälle lasersäteilylle. Älä katso säteeseen.

ADVARSEL : Usynlig laserstrålning ved åbning , når sikkerhedsafbrydere er ude af funktion. Undgåudsættelse for stråling.

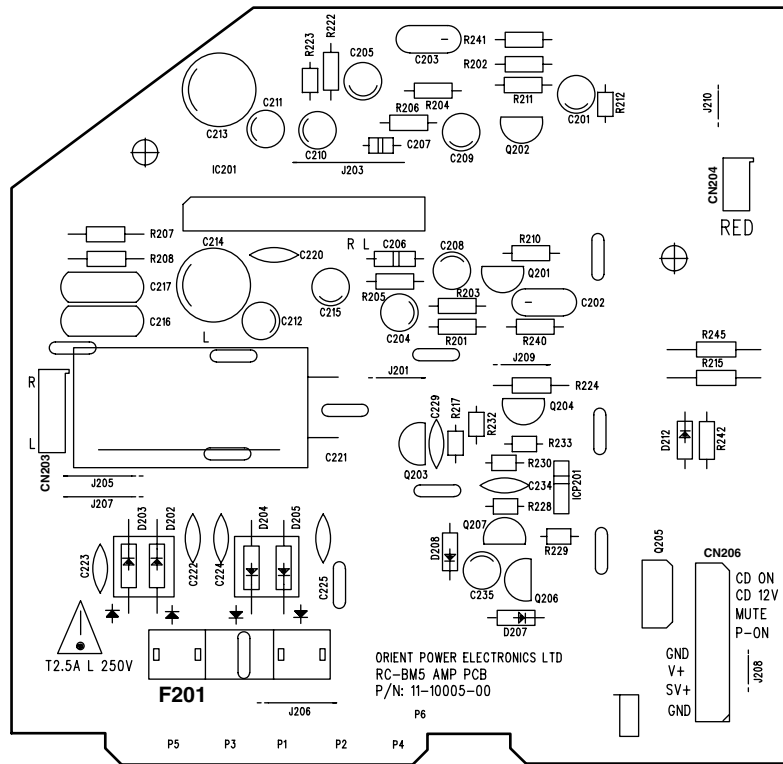
ADVARSEL : Usynlig laserstrålning ved åpning, når sikkerhetsbryteren er avslott. unngå utsettelse for stråling.

REPRODUCTION AND POSITION OF LABELS

CLASS 1
LASER PRODUCT

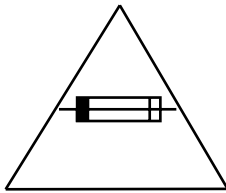


Importance administering point on the safety



Power amplifier board

For USA and Canada / pour États - Unis d'Amérique et Canada



Caution: For continued protection against risk of fire, replace only with same type: 2.5A/250V for F201. This symbol specifies type of fast operating fuse.

Précaution: Pour éviter les risques de feu, remplacez le fusible de sûreté par le même type: 2,5A/250V pour F201. Ce symbole spécifie le type du fusible à fonctionnement rapide.

Disassembly method

<Main body section>

■ Removing the handle (See Fig. 1.)

1. Lift the handle slightly.
2. While pressing the claws **a** of the rear cabinet assembly in the direction of the arrow **1**, slide the handle in the direction of the arrow **2**.

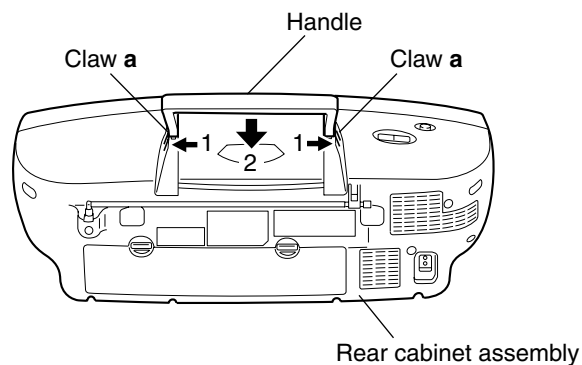


Fig.1

■ Removing the front cabinet assembly and rear cabinet assembly (See Figs. 2 to 5.)

(See Figs. 2 to 5.)

1. Remove the eight screws **A** retaining the front cabinet and rear cabinet assemblies from the rear of the main body. (See Fig.2.)
2. Open the cassette door. (See Fig.3.)
3. Remove the two screws **B** retaining the front cabinet assembly. (See Fig.3.)
4. Slide the lower part of the front cabinet slightly in the direction of the arrow **1**. (See Fig.4.)
5. While removing the front cabinet assembly from the cassette knobs and remove it in the upward direction **2**. (See Fig.4.)
6. Disconnect the speaker wire from the connector CN205 on the phone jack board. (See Fig.5.)
7. Disconnect the parallel wire from the connector CN302 on the main board. (See Fig.5.)

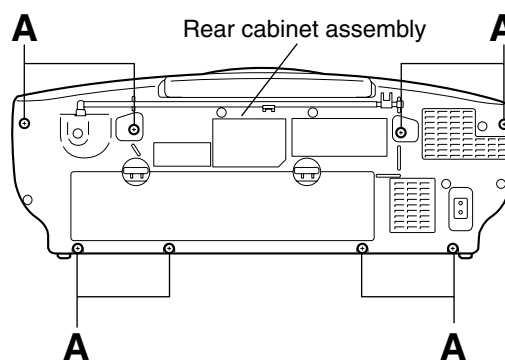


Fig.2

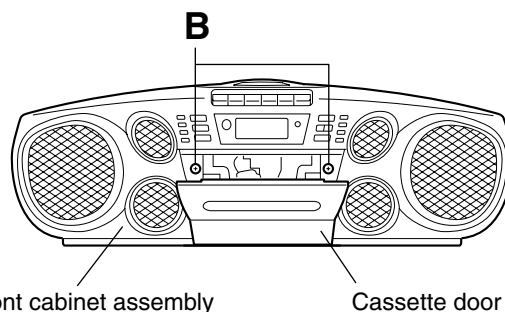


Fig.3

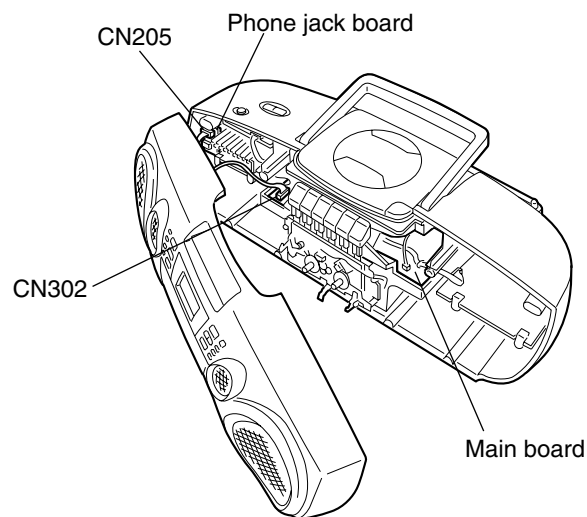


Fig.5

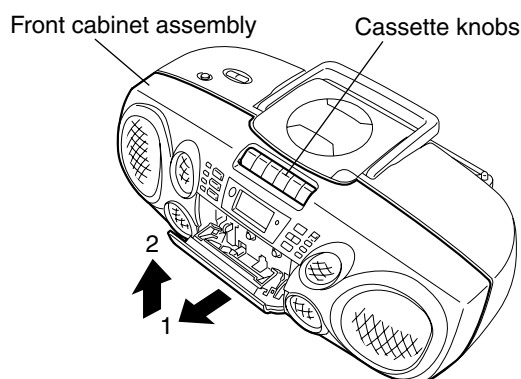


Fig.4

<Front cabinet section>

- Prior to performing the following procedures, remove the front cabinet assembly from the rear cabinet assembly.

■ Removing the display board

(See Fig. 6.)

From the inside of the front cabinet assembly, remove the eight screws **C** retaining the display board and then take out the display board.

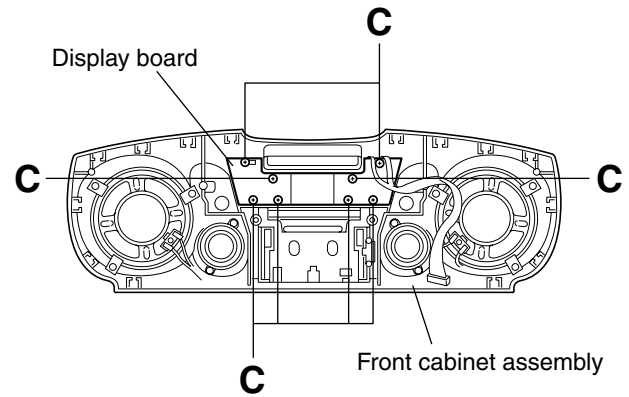


Fig.6

■ Removing the right and left main speaker assemblies

(See Fig. 7.)

1. From the inside of the front cabinet assembly, remove the six screws **D** retaining the right and left main speaker assemblies.
2. Remove the solders from the soldered sections **b** and **c** of the right and left main speaker assemblies, remove the wires.
3. Take out the right and left main speaker assemblies.

[Note] • After assembly, apply a locking agent to the screws **D**.

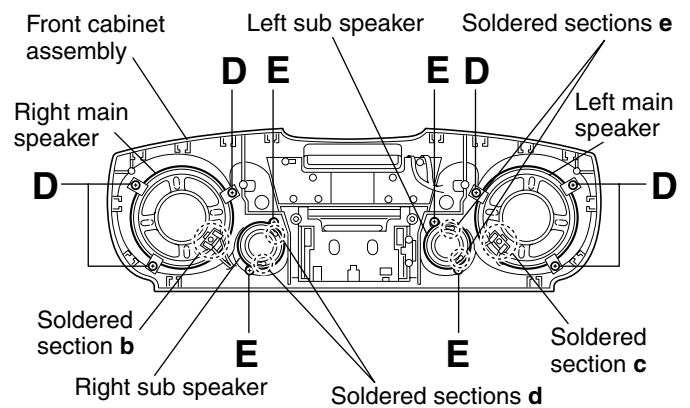


Fig.7

■ Removing the right and left sub speaker assemblies

(See Fig. 7.)

1. From the inside of the front cabinet assembly, remove the four screws **E** retaining the right and left sub speaker assemblies.
2. Remove the solders from the soldered sections **d** and **e** of the right and left sub speaker assemblies, remove the wires.
3. Take out the right and left sub speaker assemblies.

[Note] • After assembly, apply a locking agent to the screws **E**.

■ Removing the cassette door damper

(See Fig. 8.)

1. From the inside of the front cabinet assembly, remove the two screws **F** retaining the bracket of the cassette door damper.
2. Take out the cassette door damper.

[Note] • After assembly, apply a locking agent to the screws **F**.

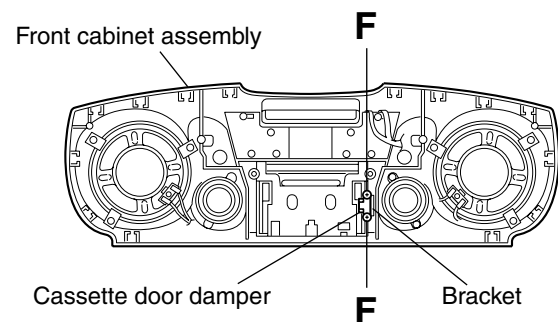


Fig.8

■ Removing the cassette door

(See Fig. 9.)

1. Open the cassette.
2. While pressing the claws **f** on the left and right of the cassette door bracket, slide the cassette door.
3. Disengage the hooks **g** and **h** on the left and right of the cassette door bracket, and remove the cassette door.

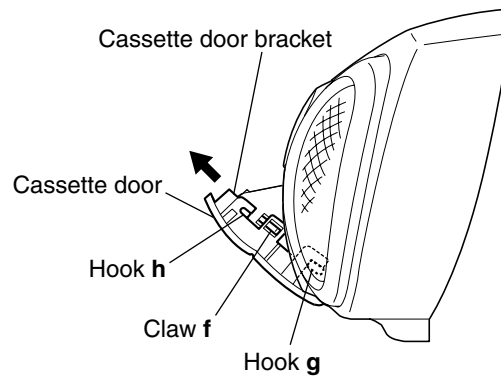


Fig.9

■ Removing the cassette door bracket

(See Figs. 10 and 11.)

1. While pressing the sections **i** on the left and right of the cassette door bracket in the direction of the arrow **1**, remove the cassette door bracket from the bosses **j** of the front cabinet assembly and then open the cassette door bracket in the direction of the arrow **2**.
2. Press the section **k** of the cassette door bracket and remove the cassette door bracket from the boss **m** of the front cabinet assembly.
3. Disengage the section **n** of the cassette door bracket from the boss **p** of the front cabinet assembly and remove the cassette door bracket.

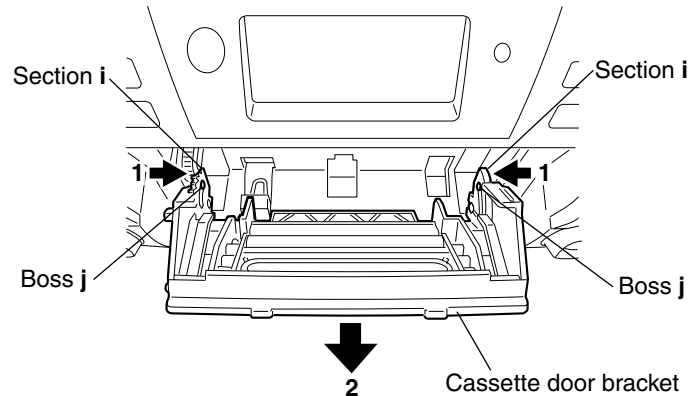


Fig.10

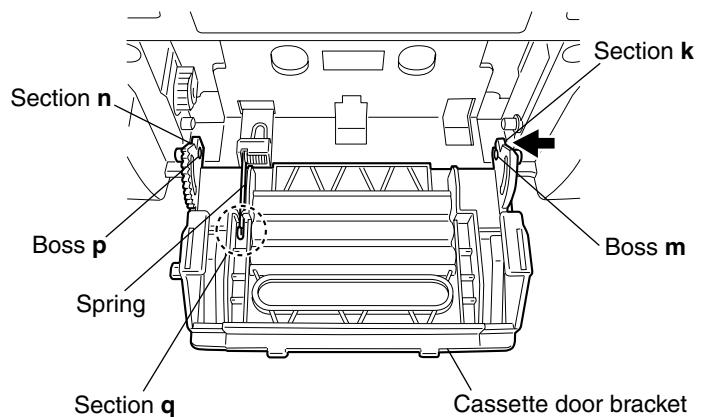


Fig.11

[Note] Be sure to hang the spring to the section **q** before attaching the cassette door bracket.

<Rear cabinet section>

- Prior to performing the following procedures, remove the front cabinet assembly from the rear cabinet assembly.

■ Removing the volume switch board (See Fig. 12 and 13.)

1. Disconnect the wire from the connector H402 on the volume switch board.
2. Remove the four screws **G** retaining the control bracket of the volume switch board.
3. While pressing the power and volume buttons of the volume switch board, take out the volume switch board.
4. From the forward side of the volume switch board, remove the five screws **H** retaining the volume switch board to the control bracket. (See Fig.13.)
5. From the bottom side of the control bracket, remove the two screws **J** retaining the volume switch board and volume button to the control bracket. (See Fig.13.)

■ Removing the power amplifier board and phone jack board (See Fig. 14.)

1. Disconnect the wire from the connector CN206 on the power amplifier board.
2. Disconnect the wire from the connector CN801 on the main board.
3. Remove the wire from the soldered section **r** on the power amplifier board.
4. Remove the two screws **K** and board holders (A)/(B) retaining the power amplifier board.
5. Remove the two screws **L** retaining the phone jack board.
6. Pull out the power amplifier board from notches **s** and **t**, and then take out the power amplifier board together the phone jack board.

■ Removing the power transformer (See Fig. 15.)

1. Remove the tie band bundling the wires from the power transformer and battery plate.
 2. Remove the wire from the soldered section **u** on the power amplifier board.
- [Reference]** • It is not necessary to remove the wire(black) from the battery plate.
3. Remove the wire(blue) from the soldered section **v** of the battery plate.
 4. Remove the two screws **M** retaining the power transformer.
 5. Remove the two screws **N** retaining the AC jack.
 6. Take out the power transformer together the AC jack.

[Note] • After assembly, apply a locking agent to the screws **M**.

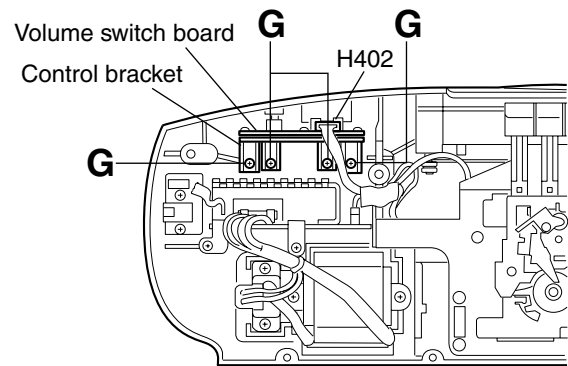


Fig.12

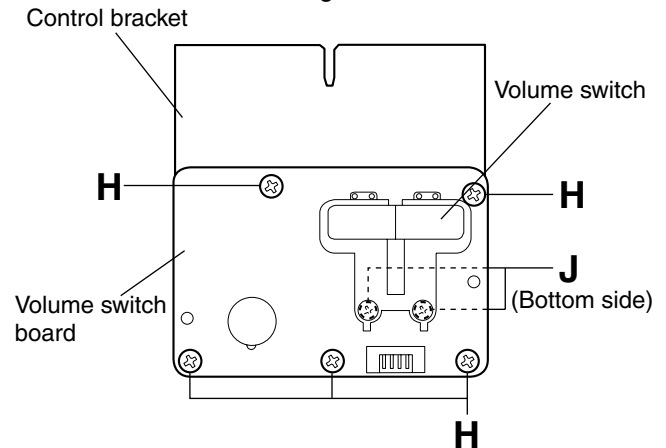


Fig.13

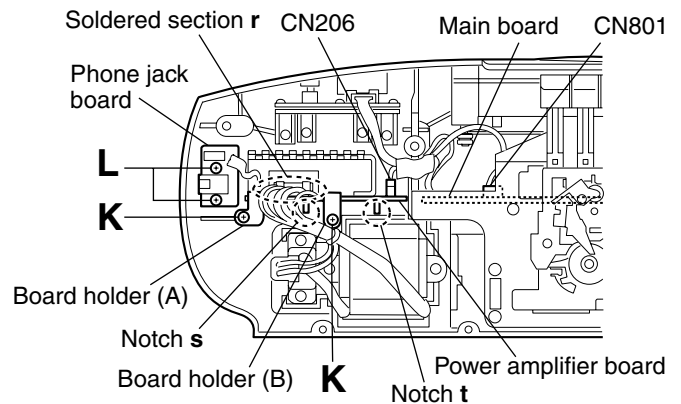


Fig.14

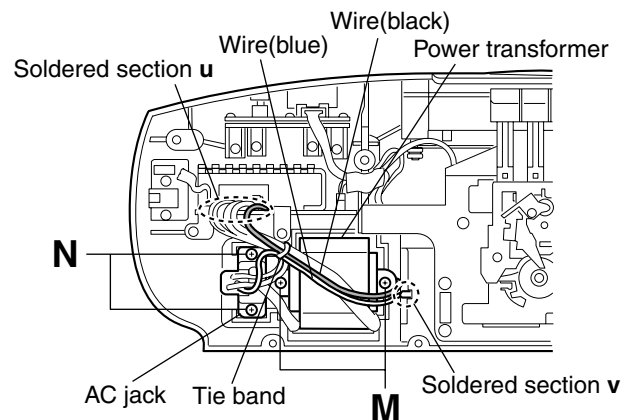


Fig.15

■ Removing the tuner board

(See Figs. 16 and 17.)

1. Remove the wire from the connector H801 on the tuner board.
2. Remove the two screws **P** and board holders (B) retaining the tuner board.
3. Pull out the tuner board from the notches **w** and **x** of the rear cabinet assembly.
4. Remove the FM antenna wire from the soldered section **y** on the reverse side of the tuner board.
(See Fig.17.)

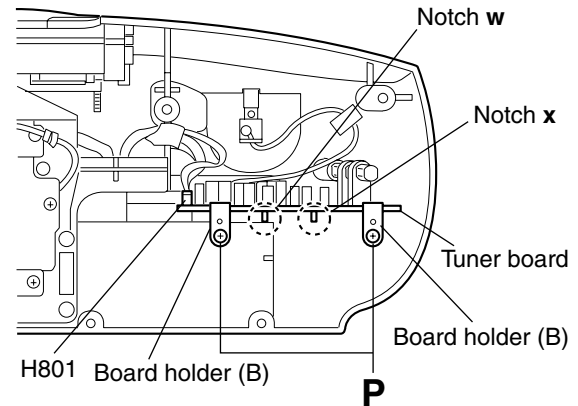


Fig.16

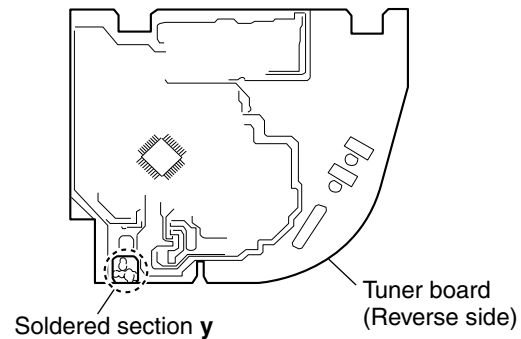


Fig.17

■ Removing the cassette deck mechanism assembly and cassette board

(See Figs. 18 and 19.)

1. Remove the three screws **Q** and screw **Q'** retaining the cassette deck mechanism assembly.
2. Lift the cassette deck mechanism assembly slightly and move it as shown in Fig.19.
3. Remove the three screws **R** retaining the cassette board.
4. Lift the cassette board slightly, remove the capstan motor wire and REC/PB head wire from the soldered sections **z** and **aa** on the cassette board.
5. From the forward side of the cassette board, disconnect the wire from the connector CN602 and then remove the cassette deck mechanism assembly.
6. From the forward side of the cassette board, disconnect the wire from the connector H602 and then remove the cassette board.

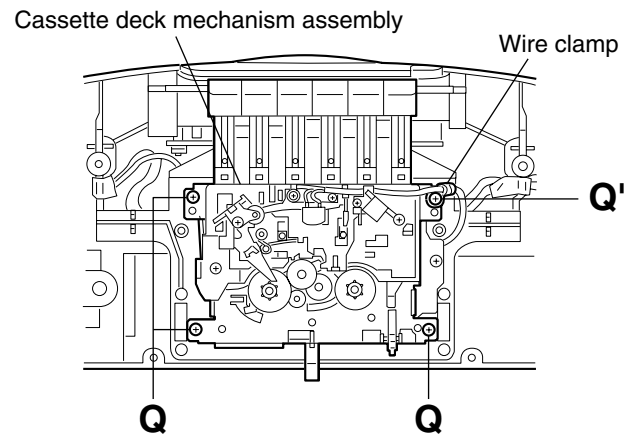


Fig.18

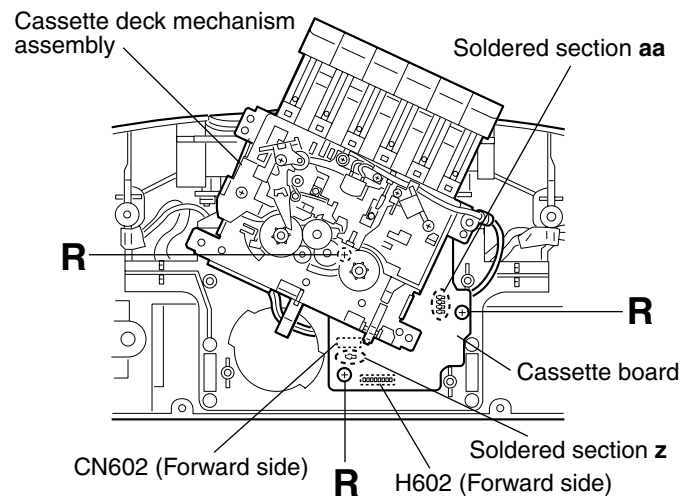


Fig.19

[Notes] · When attaching the screw **Q'**, attach the wire at the same time.
· After assembly, apply a locking agent to the screws **Q** and **Q'**.

■ Removing the CD/Cassette mechanism assembly

(See Figs. 12,14,16 and 20 to 22.)

[Reference] - It is not necessary to remove the cassette deck mechanism assembly from the rear cabinet assembly.

1. From the back side of the rear cabinet assembly, remove the two screws **S** retaining the CD/Cassette mechanism assembly. (See Fig.12.)
2. Disconnect the wire from the connector H402 on the volume switch board. (See Fig.12.)
3. Disconnect the wire from the connector CN206 on the power amplifier board. (See Fig.14.)
4. Disconnect the wire from the connector CN801 on the main board. (See Fig.14.)
5. Disconnect the wire from the connector H801 on the tuner board. (See Fig.16.)
6. Remove the four screws **T** retaining the CD/Cassette mechanism assembly. (See Fig.21.)
7. Slide the CD/Cassette mechanism assembly in the direction of the arrow and take out it. (See Fig.22.)

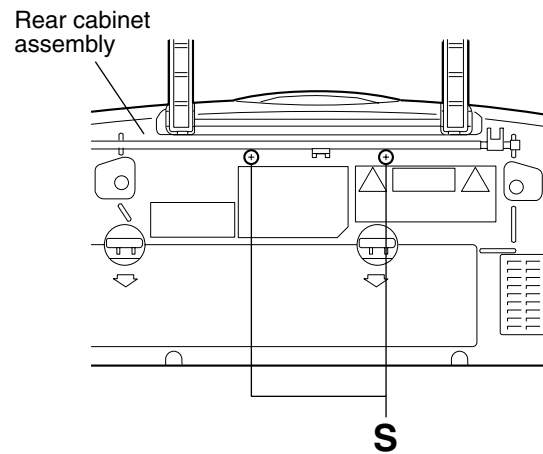


Fig.20

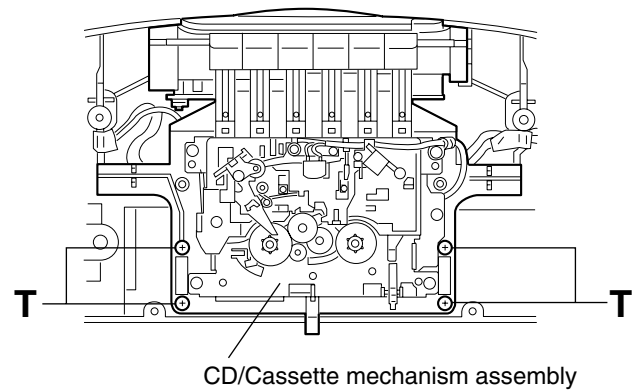


Fig.21

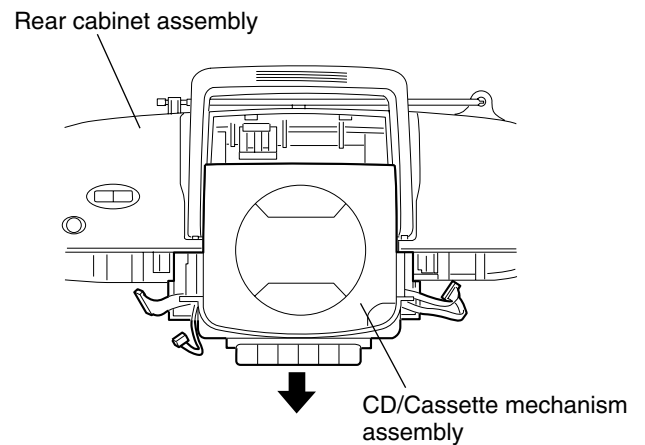


Fig.22

<CD/Cassette mechanism section>

■ Removing the main board

(See Figs. 23 to 25.)

[Caution] - When removing the main board, be careful not to scratch or damage the CD door.

1. From the bottom side of the CD/Cassette mechanism assembly, remove the screw **U** retaining the main board.
2. Disconnect the wire from the connector H602 on the cassette board. (See Fig.23.)
3. Disconnect the wire from the connector H302 on the main board. (See Fig.24.)
4. From the top side of the CD/Cassette mechanism assembly, remove the three screws **V** and screw **V'** retaining the main board. (See Fig.24.)

[Note] - When attaching the screw **V'**, attach the wire at the same time.

5. Remove the main board from the CD/Cassette mechanism assembly, lift the CD/Cassette mechanism assembly as shown in Fig.25.
6. Disconnect the wire from the connector H502 on the main board. (See Fig.25.)
7. Apply solder to the short land section **ab** on the CD pickup unit. (See Fig.25.)

[Caution] - Be sure to solder the short land section **ab** on the CD pickup unit before disconnecting the card wire from the CD pickup unit. If the card wire is disconnected without applying solder, the CD pickup may be destroyed by static electricity.

8. After soldering, disconnect the card wire from the CD pickup unit and then remove the main board. (See Fig.25.)

[Caution] - In the assembly, be sure to remove solder from the short land section **ab** on the CD pickup unit after connecting the card wire.

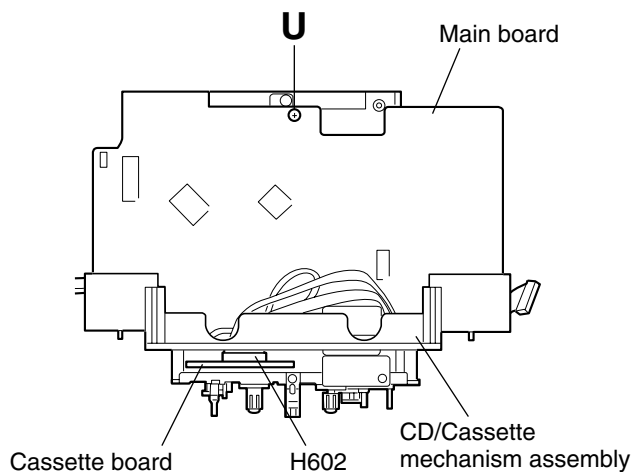


Fig.23

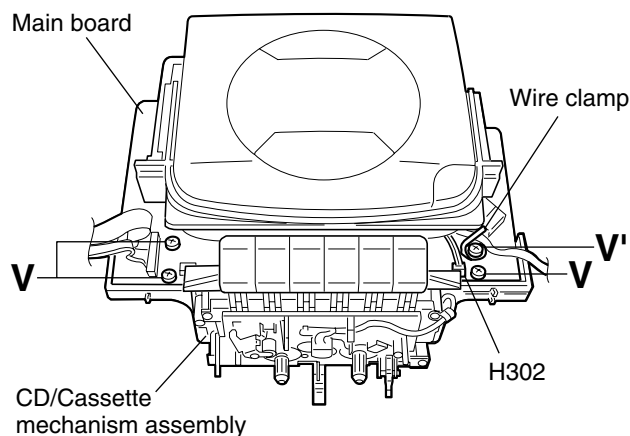


Fig.24

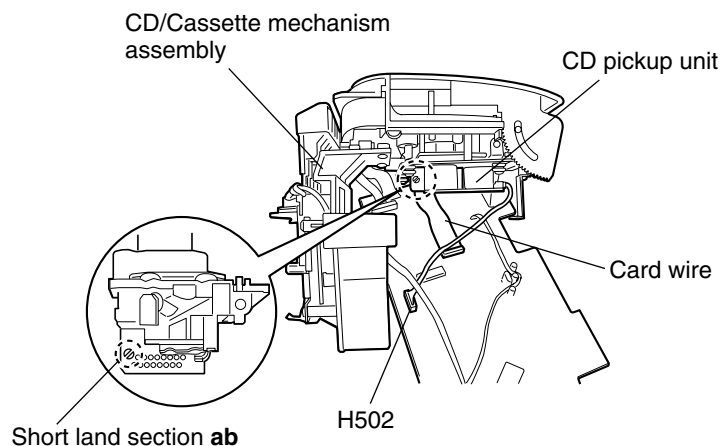


Fig.25

■ Removing the CD mechanism assembly (See Fig. 26.)

- Prior to performing the following procedures, remove the main board from the CD/Cassette mechanism assembly.

From the bottom side of the CD/Cassette mechanism assembly, remove the four screws **W** retaining the CD mechanism assembly.

[Note] • When attaching the CD mechanism assembly, be sure not to mistake the positions of the pink and orange rubbers.

■ Removing the CD door switch board (See Fig. 27.)

From the bottom side of the CD/Cassette mechanism assembly, remove the screw **X** retaining the CD door switch board.

■ Removing the hanger and CD door button (See Fig. 27.)

1. From the bottom side of the CD/Cassette mechanism assembly, loosen the screw **Y** of the spring plate holding the hanger and then move the spring plate in the direction of the arrow **1**.
2. While pressing the claws **ac** of the hanger in the direction of the arrow **2**, remove the hanger from the CD tray assembly.
3. Press the claws **ad** of the CD open knob in the direction of the arrow **3** and then take out the CD open knob from the top side of the CD tray assembly.

[Note] • After assembly, apply a locking agent to the screw **Y**.

■ Removing the CD door damper (See Fig. 27.)

1. From the bottom side of the CD/Cassette mechanism assembly, remove the two screws **Z** retaining the CD door damper holder.
2. Take out the CD door damper.

[Note] • After assembly, apply a locking agent to the screws **Z**.

■ Removing the CD door (See Fig. 28.)

1. Open the CD door.
2. While pressing the arm section **ae** of the CD door in the direction of the arrow, remove the arm section.
3. While pressing the arm section **af** of the CD door in the direction of the arrow, remove the CD door.

[Note] • When attaching the CD door, hang the spring to the section **ag** of the CD door.

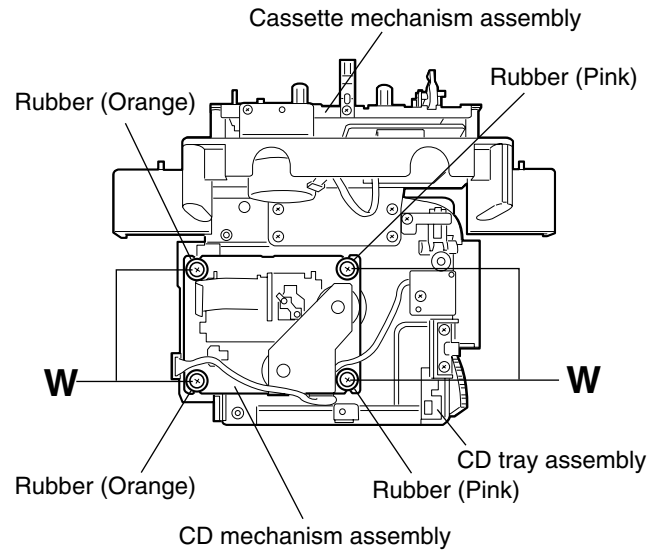


Fig.26

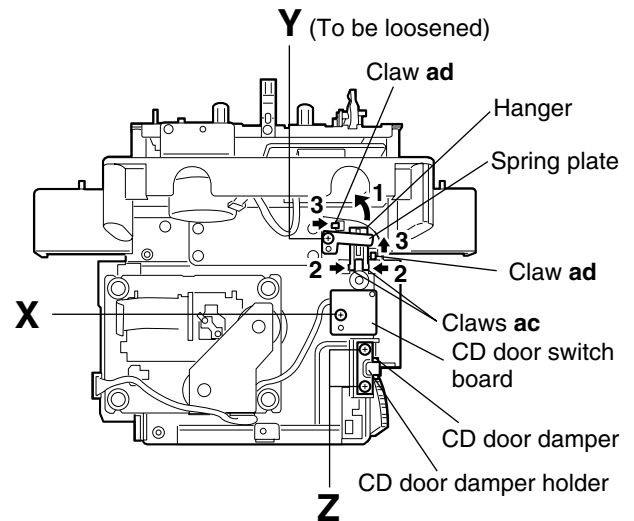


Fig.27

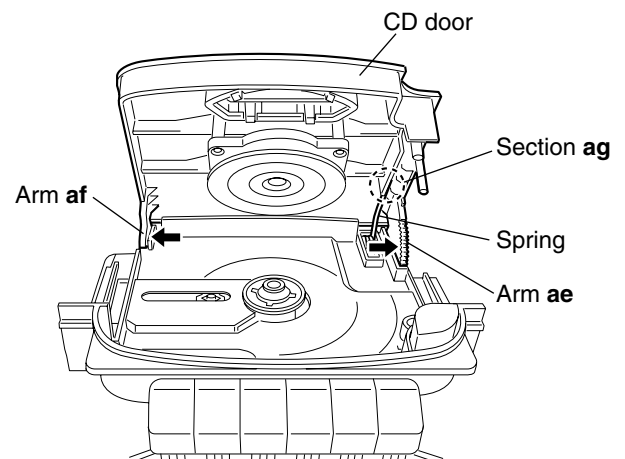


Fig.28

<CD mechanism section>

■ Removing the CD pickup unit

(See Figs. 1 to 2.)

- Prior to performing the following procedures, remove the CD mechanism assembly.
1. Remove the three screws **A** retaining the CD pickup cover.
 2. Remove the slit washer retaining the feed middle gear and take out the feed middle gear.
 3. Loosen the two screws **B** retaining the shaft and pull out the shaft in the direction of the arrow.
 4. Take out the CD pickup unit.

[Note] · In the assembly, be sure to attach the sliding spring in the correct orientation before attaching the CD pickup unit.

(See Fig.2.)

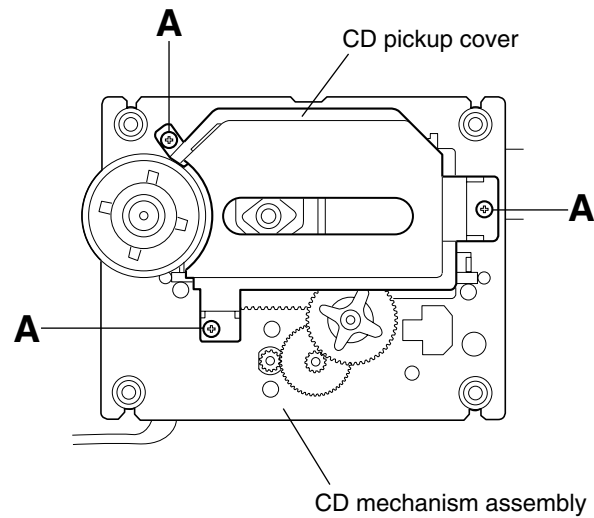


Fig.1

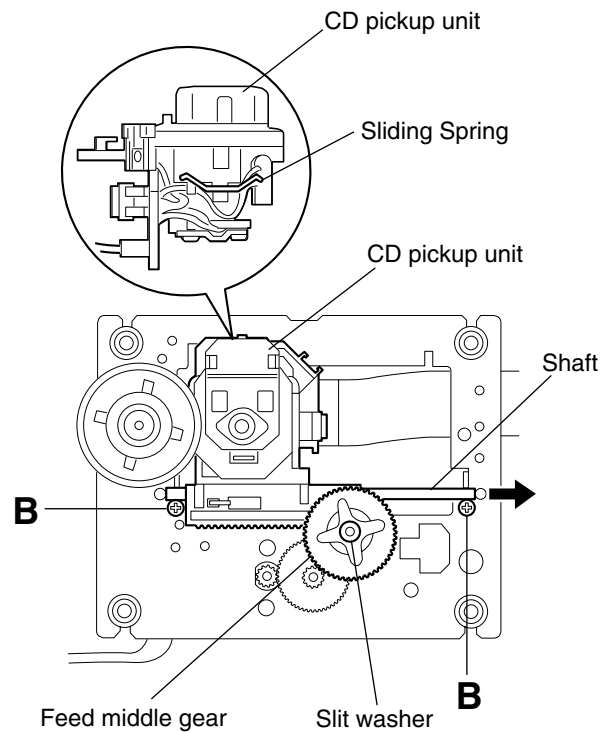


Fig.2

<Cassette mechanism section>

- Prior to performing the following procedures, remove the cassette mechanism assembly from the rear cabinet assembly. (See Fig.17 and 18 of "Rear cabinet section" on page 1-10.)

■ Removing the capstan motor

(See Figs.1 and 2.)

1. Remove the capstan motor belt.
2. Remove the two screws **A** retaining the bracket of the capstan motor from the cassette mechanism assembly.
3. Remove the two screws **B** retaining the bracket from the capstan motor. (See Fig.2.)

■ Removing the leaf switch (See Fig.3.)

Pressing the claw **a** of the leaf switch in the direction of the arrow **1** and take out the leaf switch in the direction of the arrow **2**.

■ Removing the pinch roller arm assembly (See Fig.4.)

Remove the screw **C** retaining the pinch roller arm assembly and remove the pinch roller arm assembly in an upward direction.

[Note] · In the assembly, hang the notch **b** of the pinch roller arm assembly to the spring.

■ Removing the erase head (See Fig.4.)

Remove the screw **D** retaining the erase head and remove the erase head in an upward direction.

■ Removing the REC/PB head (See Fig.4.)

Remove the screw **E**, washer and screw **F** retaining the REC/PB head and remove the REC/PB head.

[Notes] · When removing or replacing the REC/PB head, perform the REC/PB head adjustment. (See "Adjustment method".) After adjusting the REC/PB head, apply a locking agent to the screws **F**.

■ Removing the flywheel assembly (See Figs. 4 and 5.)

(See Figs. 4 and 5.)

1. From the bottom side of the cassette mechanism assembly, remove the main belt.
2. From the top side of the cassette mechanism assembly, remove the slit washer retaining the shaft of the flywheel assembly.
3. Pull out the flywheel assembly in the direction of the arrow. (See Fig.5.)

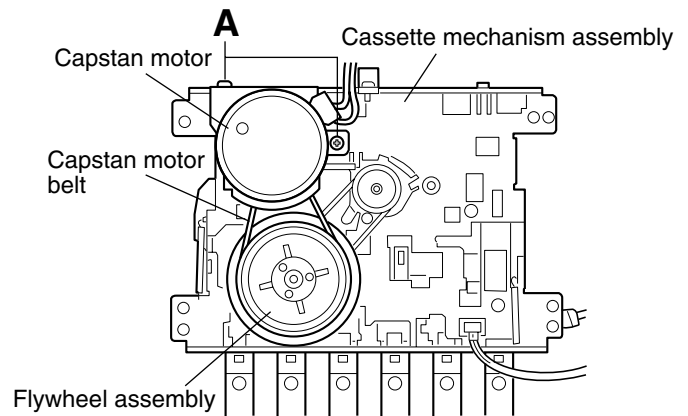


Fig.1

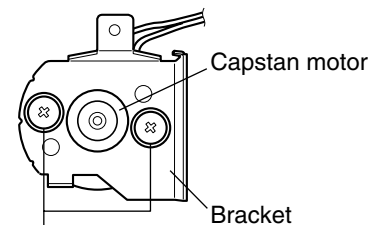


Fig.2

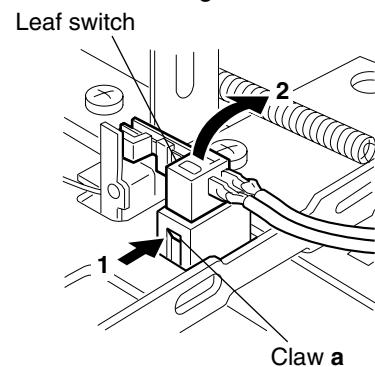


Fig.3

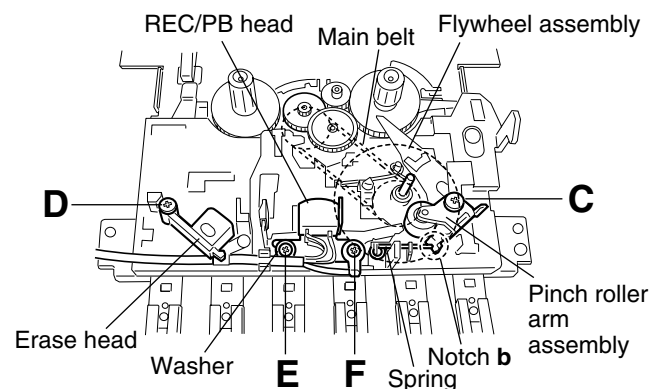


Fig.4

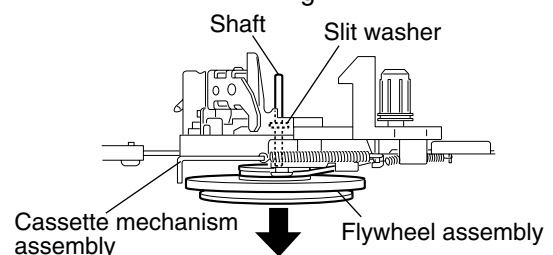


Fig.5

Adjustment method

■ Measuring instructions required for adjustment

1. AM signal generator
2. FM signal generator
3. Inter mediate frequency sweep generator
4. FM stereo signal generator
5. Low-frequency oscillator
(oscillation frequency 50Hz-20kHz, 0dB output with 600 ohm impedance)
6. Attenuator (600 ohm impedance)
7. Electronic voltmeter
8. Distortion meter
9. Torque gauge (cassette for CTG-N)
10. Wow & flutter meter
11. Frequency counter meter
12. Test tape
VT712 : For tape speed and wow flutter
VT724 : For reference level
VT702 : For playback frequency
VT702 : For head azimuth adjustment
13. Blank tape
TAPE I : AC-225

■ Measurement conditions

Power supply voltage
AC120V/60Hz

■ Measuring instruments

Radio section

FM 1kHz, 22.5kHz deviation
 FM STEREO : 1kHz, 67.5kHz deviation
 pilot signal 7.5kHz
 AM : 1kHz, 30% modulation
 Reference output :
 Speaker output 0.5W(1.2V) 3.2 ohm
 Standard mode of function knob :
 Selects FM or AM in tuner mode
 Bass boost: OFF
 Preset EQ: Flat
 Main volume: Reference output

Cassette amplifier section

Reference output :
 Speaker output 0.5W(1.2V) 3.2 ohm
 Standard mode of function knob :
 Press TAPE knob of select TAPE mode

CD section

CD test disc : CTS-1000

■ Cassette amplifier section

Item	Measuring condition	Check and adjustment procedure	Standard value	Adjusting part
Head azimuth adjustment	<ul style="list-style-type: none"> • Test tape: VT702 (8kHz) • Signal output terminal: Speakers 	<ol style="list-style-type: none"> 1. Play back the test tape VT702 (8kHz). 2. Adjust the head azimuth adjusting screw so that the phase difference between the R and L channels is minimized at an output level that is within (+2dB-2dB) of the maximum output level in the FWD and REV operations. After this adjustment, lock the head azimuth adjusting screw with screw sealant to cover more than a half of the screw head. 3. When the head azimuth is maladjusted, correct it with the head azimuth adjusting screw in the FWD and REV operations alternately. 	<ul style="list-style-type: none"> • Output level: Within (+2dB-2dB) of maximum output level • Phase difference R and L channels: Minimum 	Head azimuth adjusting screw (To be used only after head replacement) See Fig.1 on page 1-18.
Tape speed and wow/flutter check and adjustment	<ul style="list-style-type: none"> • Test tape: VT712 (3kHz) • Signal output terminal: Speakers 	<ol style="list-style-type: none"> 1. Play back the test tape VT712 (3kHz) by the end portion. 2. Connect a frequency counter and check that it reads between 2940 and 3090Hz. If not, adjust the frequency with the motor semifixed resistor. 3. Check that the wow/flutter is within 0.38% (unweighted). 	<ul style="list-style-type: none"> • 2940 to 3090Hz • Within 0.38% (unweighted) 	<ul style="list-style-type: none"> • Tape speed: Motor semifixed resistor See Fig.2 on page 1-18. • Check only
PB frequency response check	<ul style="list-style-type: none"> • Test tape: VT702 • Signal output terminal: Speakers 	Play back the test tape VT702 while con-firming that deviation between the 1kHz signal and 8kHz signal should be (0+3dB-6dB).	<ul style="list-style-type: none"> • Deviation between 1kHz and 8kHz: (0+3dB-6dB) 	
Bias frequency check	<ul style="list-style-type: none"> • Tape: Normal • Signal output terminal: Cassette REC./PLAY HEAD 	While recording, check to see if the frequency at the measuring point is (75+2kHz-2kHz) if not adjust T605 until the frequency counter indicates (75+2kHz-2kHz).		T605 See Fig.3 on page 1-18.
REC and PB frequency response adjustment	<ul style="list-style-type: none"> • Test tape: AC225 • Signal input: SG 1kHz -20dBs with emphasis • Signal output terminal: Speakers 	In recording FM mode, and record the reference 1kHz signal and 8kHz signal alternately repeatedly. While playing back the recorded signal of the 1kHz signal differ from that of the 8kHz signal by within (0+4dB-4dB).	<ul style="list-style-type: none"> • Level difference for 1kHz signal: Within (0+4dB-4dB) 	

■ Tuner section

Item	Measuring condition	Check and adjustment procedure	Standard value	Adjusting part
FM VT adjustment	<ul style="list-style-type: none"> • Signal input: FM antenna • VT test point: IC101 pin8 	<ol style="list-style-type: none"> 1. Set the FM signal generator at 108MHz and output level at 60dBu. 2. Adjust L102, so that the VT is within (8+0.2V-0.2V). 	VT=8+0.2V-0.2V	L102 See Fig.4 on page 1-18.
AM VT adjustment	<ul style="list-style-type: none"> • Signal input: AM loop antenna • VT test point: IC101 pin8 	<ol style="list-style-type: none"> 1. Set the AM signal generator at 1710kHz and output level at 100dBu. 2. Adjust T102, so that the VT is within (8V+0.1V-0.1V). 	VT=8+0.1V-0.1V	T102 See Fig.4 on page 1-18.
FM IF adjustment	<ul style="list-style-type: none"> • Signal input: IC101 pin3 • Voltage test point: IC101 pin19 and pin20 	<ol style="list-style-type: none"> 1. Set the FM signal generator at 10.7MHz with no signal deviation and output level at 90dBu. 2. Short IC101 pin21 to GND. 3. Adjust T103 so that the voltage between IC101 pin19 and pin20 is within (0+3mV-3mV). 	0+3mV-3mV	T103 See Fig.4 on page 1-18.
AM IF adjustment	<ul style="list-style-type: none"> • Signal input: IC101 pin2 • Signal output: IC101 pin10 	<ol style="list-style-type: none"> 1. Set the intermediate frequency sweep generator to AM 450kHz. 2. Adjust T104 and T105 for maximum and center output. 3. Adjust T106 so that the voltage between IC101 pin19 and pin20 is within (0+2mV-2mV). 		T104 T105 T106 See Fig.4 on page 1-18.

Item	Measuring condition	Check and adjustment procedure	Standard value	Adjusting part
AM tracking adjustment	<ul style="list-style-type: none"> Signal input: AM ANT. COIL antenna Signal output: IC101 pin14 or IC101 pin15 	<ol style="list-style-type: none"> Set the AM signal generator at 600kHz and the unit receiving 600kHz, adjust L105(AM ANT. COIL) for maximum output. Set the AM signal generator at 1400kHz and the unit receiving 1400kHz, adjust TC101 for maximum output. 		L105 TC101 See Fig.4 on page 1-18.
FM tracking adjustment	<ul style="list-style-type: none"> Signal input: FM antenna Signal output: IC101 pin14 or IC101 pin15 	<ol style="list-style-type: none"> Set the FM signal generator at 90MHz and the unit receiving 90MHz, adjust L101 for maximum output. Set the FM signal generator at 106MHz and the unit receiving 106MHz, adjust TC102 for maximum output. 		L101 TC102 See Fig.4 on page 1-18.
FM stereo separation adjustment	<ul style="list-style-type: none"> Signal input: FM antenna Signal output: IC101 pin14 or IC101 pin15 	<ol style="list-style-type: none"> Set the AM signal generator at 98MHz with stereo deviation and the unit receiving 98kHz. Adjust VR101, so that the separation between the R and L channels for maximum. 		VR101 See Fig.4 on page 1-18.

■ Location of adjusting parts

• Cassette mechanism section

(Caution) For adjusting any head, be sure to use a screw driver degaussed.

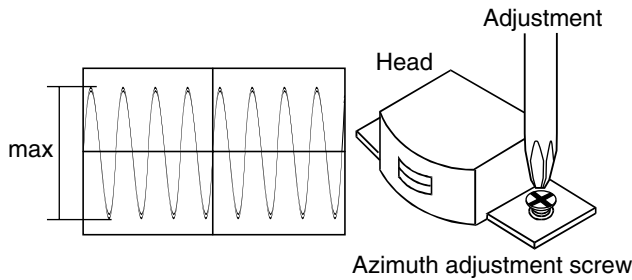


Fig.1 Head output signal

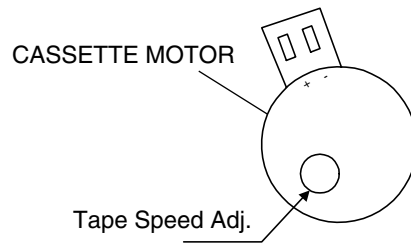


Fig.2

• Cassette board

• Tuner board

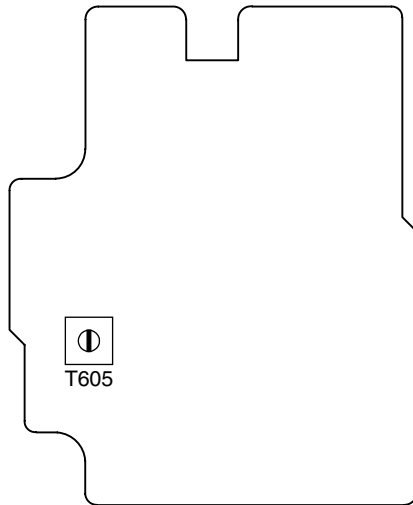


Fig.3

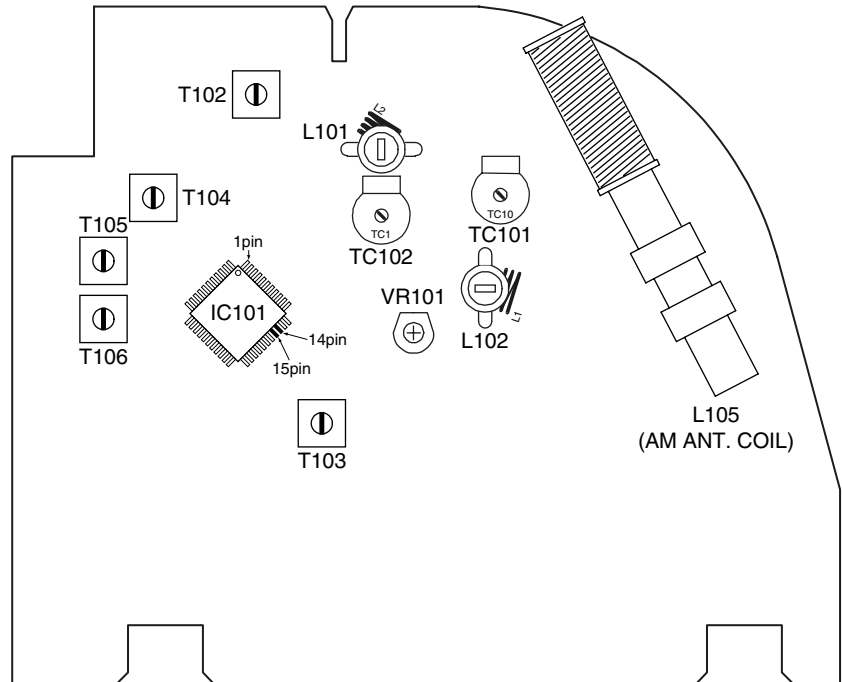
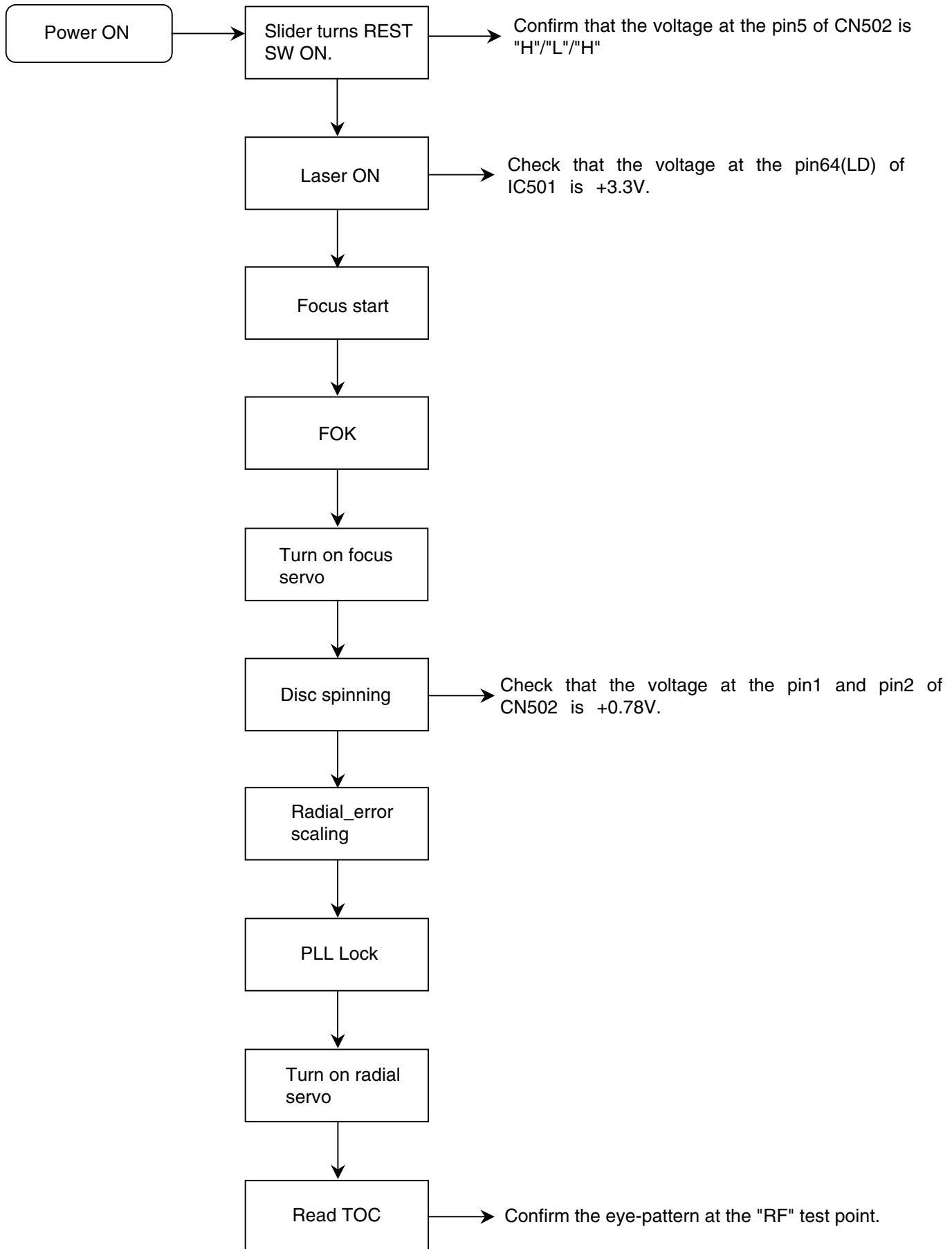


Fig.4

Trouble shooting

Circuit	Symptom	Cause	Remedy
General	No sound	<ul style="list-style-type: none"> ▪ The unit is on STANDBY mode. ▪ Defective volume control ▪ The unit is on MUTE mode. 	<p>Press STANDBY/ON button to turn on the unit.</p> <p>Set the volume control to a proper sound level.</p> <p>Press MUTE on the remote control.</p>
AM	No sound, weak sound (Low sensitivity)	<ul style="list-style-type: none"> ▪ Adjust the set position for the best reception. ▪ AM VT faulty ▪ Intermediate frequency tuning faulty ▪ RF tracking faulty ▪ Defective IC101 	<p>Readjust (see "Adjustment method").</p> <p>Readjust (see "Adjustment method").</p> <p>Readjust (see "Adjustment method").</p> <p>Check voltages. Replace if necessary.</p>
FM	No sound, weak sound (Low sensitivity)	<ul style="list-style-type: none"> ▪ Adjust FM antenna position for the best reception. ▪ Defective IC101 ▪ Intermediate frequency tuning faulty 	<p>Check voltages. Replace if necessary.</p> <p>Readjust (see "Adjustment method").</p>
Tape	No sound/recording, unsteady tape sound, weak sound	<ul style="list-style-type: none"> ▪ Dirty capstan or head ▪ Irregular cassette tape winding ▪ Defective IC202 ▪ Cassette erasure prevention tabs broken out 	<p>Clean the capstan or head with alcohol.</p> <p>Replace tape.</p> <p>Check voltages. Replace if necessary.</p> <p>Replace tape or cover tab openings with adhesive tape.</p>
CD CD-R CD-RW MP3-CD	Cannot read the table of content. No display, no sound	<ul style="list-style-type: none"> ▪ Disc is inserted upside down. ▪ Disc is dirty. ▪ Disc is scratched. ▪ Disc is seriously warped. ▪ A non-standard disc has been inserted. ▪ Moisture has formed inside the CD deck. ▪ Defect in the servo control board ▪ Defect in the CD pickup mechanism ▪ MP3 formats not supported. 	<p>Insert disc correctly.</p> <p>Wipe clean with a soft cloth.</p> <p>Use a new disc.</p> <p>Use a new disc.</p> <p>Use only a brand name disc.</p> <p>Wait about 20 to 30 minutes.</p> <p>Replace or repair as required.</p> <p>Replace as required.</p> <p>Use MP3-CD formats supported on this unit</p>

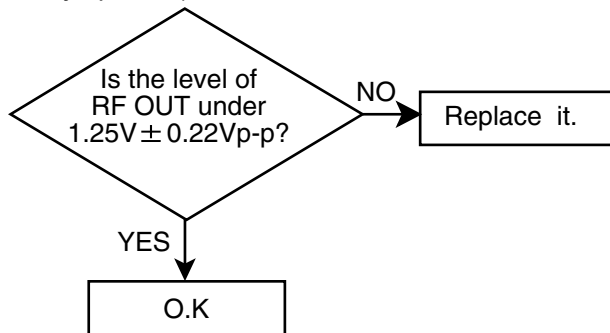
Flow of functional operation until TOC read



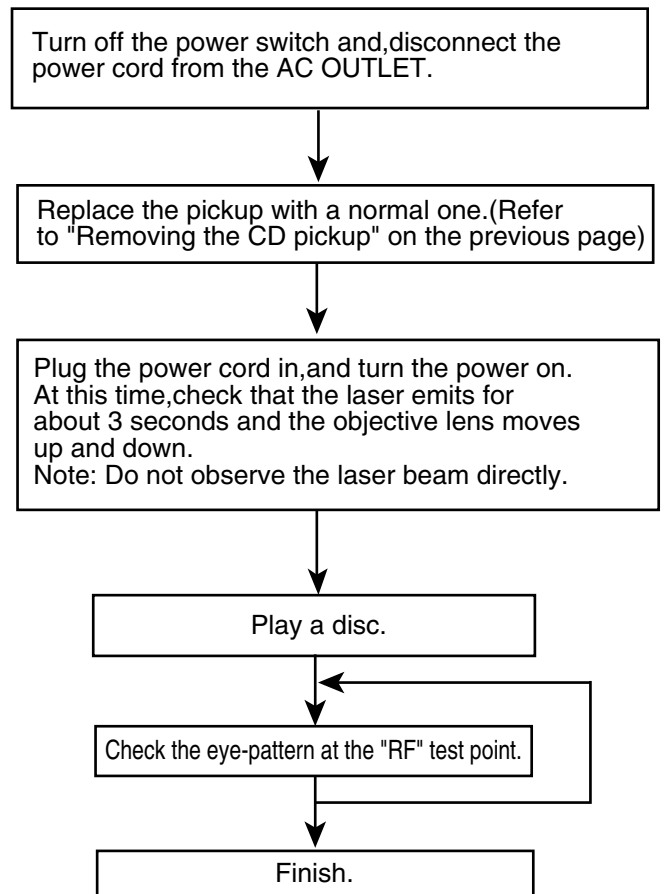
Maintenance of laser pickup

- (1) Cleaning the pick up lens
Before you replace the pick up, please try to clean the lens with a alcohol soaked cotton swab.
- (2) Life of the laser diode
When the life of the laser diode has expired, the following symptoms will appear.

The level of RF output (EFM output: amplitude of eye pattern) will below.



Replacement of laser pickup



- (3) Semi-fixed resistor on the APC PC board

The semi-fixed resistor on the APC printed circuit board which is attached to the pickup is used to adjust the laser power.

Since this adjustment should be performed to match the characteristics of the whole optical block, do not touch the semi-fixed resistor.

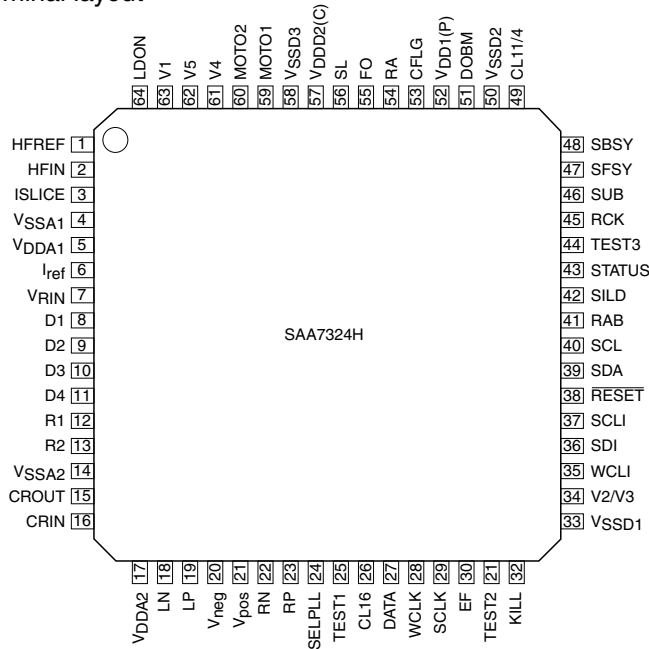
If the laser power is lower than the specified value,the laser diode is almost worn out, and the laser pickup should be replaced.

If the semi-fixed resistor would be adjusted when the pickup operates normally,the laser pickup may be damaged due to excessive current.

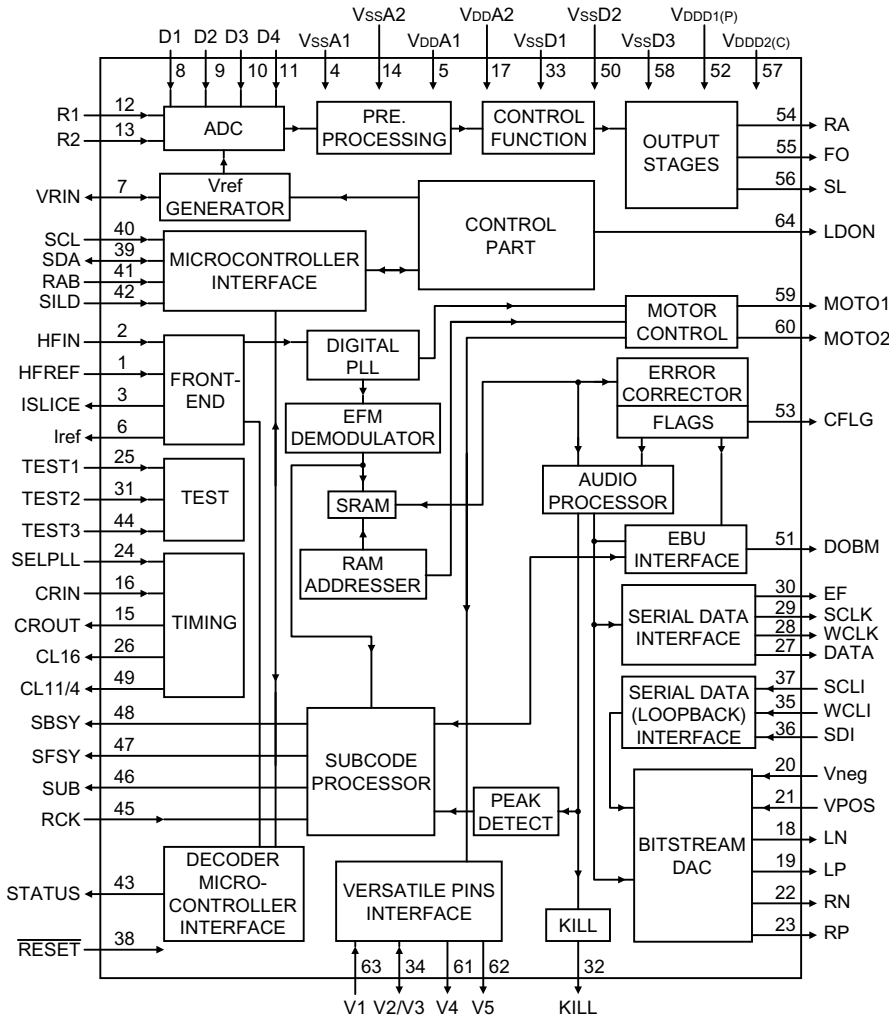
Description of major ICs

■ SAA7324 (IC501) : Digital servo processor & compact disc decoder

1. Terminal layout



2. Block diagram



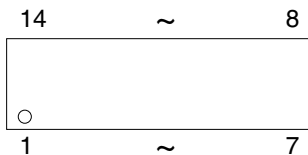
3. Pin function

Pin No.	Symbol	I/O	Function
1	HFREF	I	Comparator common mode input
2	HFIN	I	Comparator signal input
3	ISLICE	O	Current feedback output from data slicer
4	V _{SSA1}	-	Analog ground 1
5	V _{DDA1}	-	Analog supply voltage 1
6	I _{ref}	O	Reference current output
7	V _{RIN}	-	Reference voltage for servo ADCs
8	D1	I	Unipolar current input 1 (central diode signal input)
9	D2	I	Unipolar current input 2 (central diode signal input)
10	D3	I	Unipolar current input 3 (central diode signal input)
11	D4	I	Unipolar current input 4 (central diode signal input)
12	R1	I	Unipolar current input 1 (satellite diode signal input)
13	R2	I	Unipolar current input 2 (satellite diode signal input)
14	V _{SSA2}	-	Analog ground 2
15	CROUT	O	Crystal/resonator output
16	CRIN	I	Crystal/resonator input
17	V _{DDA2}	-	Analog supply voltage 2
18	LN	O	DAC left channel differential negative output
19	LP	O	DAC left channel differential positive output
20	V _{neg}	I	DAC negative reference input
21	V _{pos}	I	DAC positive reference input
22	RN	O	DAC right channel differential negative output
23	RP	O	DAC right channel differential positive output
24	SELPLL	-	Selects whether internal clock multiplier PLL is used
25	TEST1	I	Test control input 1 (this pin should be tied LOW)
26	CL16	O	16.9344MHz system clock output
27	DATA	O	Serial d4(1) data output (3-state)
28	WCLK	O	Word clock output (3-state)
29	SCLK	O	Serial bit clock output (3-state)
30	EF	O	C2 error flag output (3-state)
31	TEST2	I	Test control input 2 (this pin should be tied LOW)
32	KILL	O	Kill output (programmable;open-drain)
33	V _{SSD1}	-	Digital ground 1
34	V2/V3	I/O	Versatile I/O: versatile input 2 or versatile output 3 (open-drain)
35	WCLI	I	Word clock input (for data loopback to DAC)
36	SDI	I	Serial data input (for data loopback to DAC)
37	SCLI	I	Serial bit clock input (for data loopback to DAC)
38	RESET	I	Power-on reset input (active LOW)
39	SDA	I/O	Microcontroller interface data I/O line (IIC-bus;open-drain output)
40	SCL	I	Microcontroller interface clock line input (IIC-bus)
41	RAB	I	Microcontroller interface R/W and load control line input (4-wire bus mode)
42	SILD	I	Microcontroller interface R/W and load control line input (4-wire bus mode)
43	STATUS	O	Servo interrupt request line/decoder status register output (open-drain)
44	TEST3	I	Test control input 3 (this pin should be tied LOW)
45	RCK	I	Subcode clock input
46	SUB	O	P-to-W subcode bits output (3-states)
47	SFSY	O	Subcode frame sync output (3-sates)
48	SBSY	O	Subcode block sync output (3-sates)
49	CL11/4	O	11.2896 or 4.2336MHz (for microcontroller) clock output

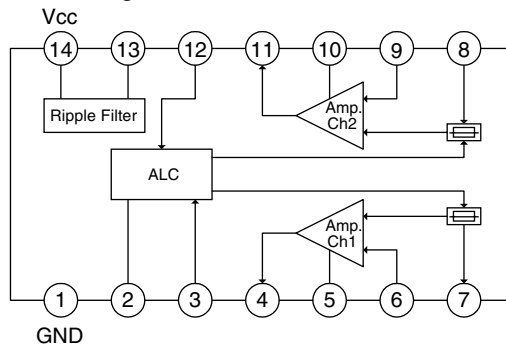
Pin No.	Symbol	I/O	Function
50	V _{SSD2}	-	Digital ground 2
51	DOB _M	O	Bi-phase mark output (externally buffered;3-state)
52	V _{DDD1(P)}	-	Digital supply voltage 1 for periphery
53	CFLG	O	Correction flag output (open-drain)
54	RA	O	Radial actuator output
55	FO	O	Focus actuator output
56	SL	O	Sledge control output
57	V _{DDD2(C)}	-	Digital supply voltage 2 for core
58	V _{SSD3}	-	Digital ground 3
59	MOTO1	O	Motor output 1;versatile (3-state)
60	MOTO2	O	Motor output 2;versatile (3-state)
61	V4	O	Versatile output 4
62	V5	O	Versatile output 5
63	V1	I	Versatile input 1
64	LDON	O	Laser drive on output (open-drain)

■ AN7312 (IC601) : Dual recording/Playback pre-amplifier circuit with ALC

1. Terminal layout



2. Block diagram

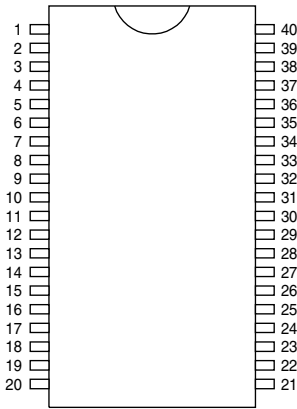


3. Pin function

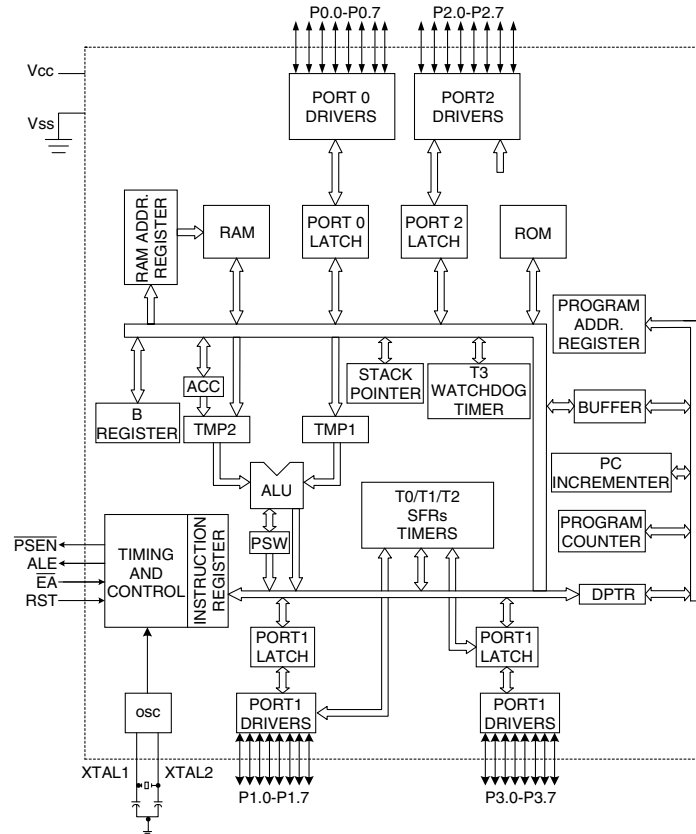
Pin No.	Symbol	I/O	Function
1	GND	-	GND
2	ALC time constant	-	ALC time constant by resistance and capacitor
3	ALC input Ch.1	I	Right channel ALC input
4	Output Ch.1	O	Right channel output
5	Phase compensation Ch.1	-	Not connect
6	N.E.B. Ch.1	I	Right channel negative feed back input
7	Input Ch.1	I	Right channel signal input
8	Input Ch.2	I	Left channel signal input
9	N.E.B. Ch.2	I	Left channel negative feed back input
10	Phase compensation Ch.2	-	Not connect
11	Output Ch.2	O	Left channel output
12	ALC input Ch.2	I	Left channel ALC input
13	Ripple filter	-	Ripple filter
14	Vcc	-	Power supply

■ MX10FLCDPC (IC301) : MCU

1. Terminal layout



2. Block diagram

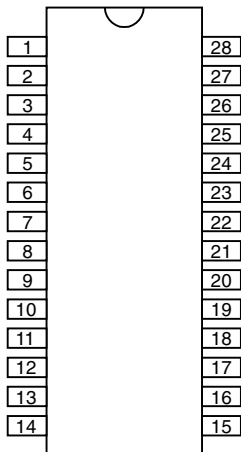


3. Pin function

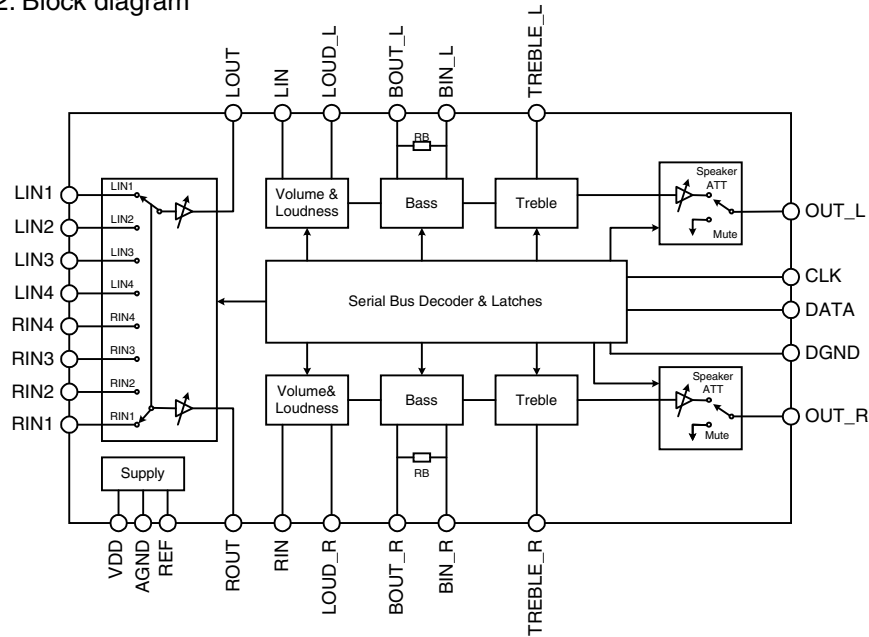
Pin No.	Symbol	I/O	Function
P1.0 to P1.7	A0 to A7	I	Input low order address bits
P2.0 to P2.5, P3.4 to P3.5	A8 to A13, A14 to A15	I	Input high order address bits
P0.0 to P0.7	Q0 to Q7	I/O	Data input/output
P3.3	\overline{CE}	I	Chip enable input
P2.7	\overline{OE}	I/O	Output enable input
ALE	\overline{WE}	I	Write enable input
EA	Vpp	-	Program supply voltage, 12.5-13volts
P3.7, P3.1, P3.0	MS2 to MS0	-	Flash mode selection
VDD	VDD	-	Power supply voltage (+5V)
GND	GND	-	Ground pin

■ PT2314 (IC801) : 4ch input audio processor

1. Terminal layout



2. Block diagram

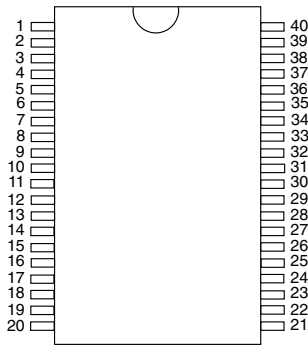


3. Pin function

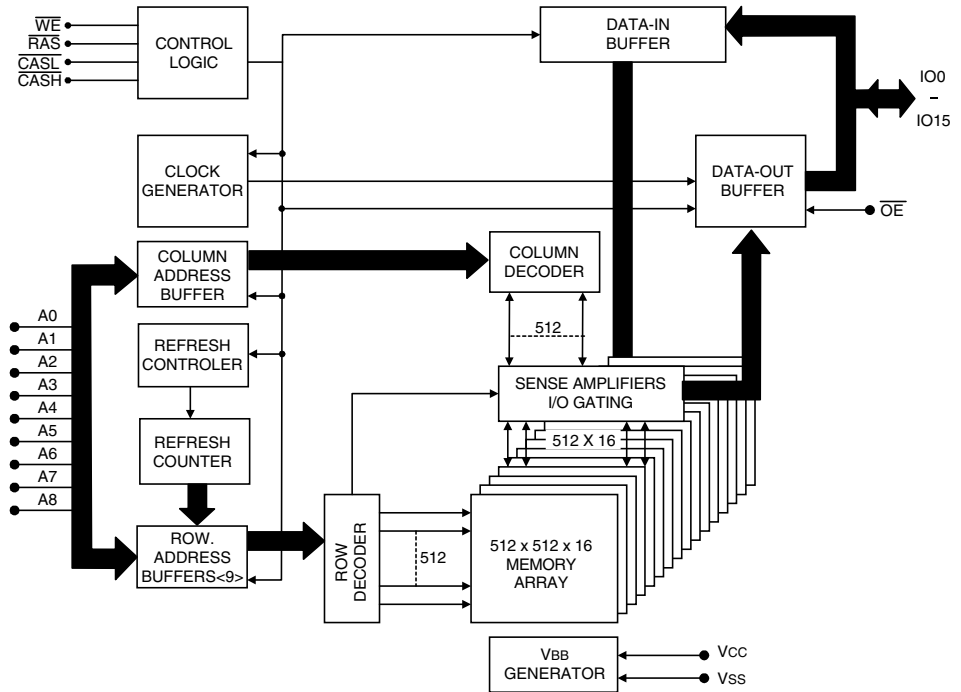
Pin No.	Symbol	I/O	Function
1	VDD	-	Supply input voltage
2	AGND	-	Analog ground
3	TREB_L	I	Left channel input for treble controller
4	TREB_R	I	Right channel input for treble controller
5	RIN	I	Audio processor right channel input
6	ROUT	O	Gain output and input selector for right channel
7	LOUD_R	I	Right channel loudness input
8	RIN4	I	Right channel input 4
9	RIN3	I	Right channel input 3
10	RIN2	I	Right channel input 2
11	RIN1	I	Right channel input 1
12	LOUD_L	I	Left channel loudness input
13	LIN4	I	Left channel input 4
14	LIN3	I	Left channel input 3
15	LIN2	I	Left channel input 2
16	LIN1	I	Left channel input 1
17	LIN	I	Audio processor left channel input
18	LOUT	O	Gain output and input selector for left channel
19	BIN_L	I	Left channel input for bass controller
20	BOUT_L	O	Left channel output for bass controller
21	BIN_R	I	Right channel input for bass controller
22	BOUT_R	O	Right channel output for bass controller
23	OUT_R	O	Right speaker output
24	OUT_L	O	Left speaker output
25	DGND	-	Digital ground
26	DATA	I	Control data input
27	CLK	I	Clock input for serial data transmission
28	REF	-	Analog reference voltage (1/2 VDD)

AS4C256KEO (IC701) : DRAM

1. Terminal layout



2. Block diagram

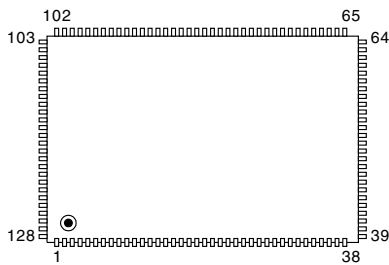


3. Pin function

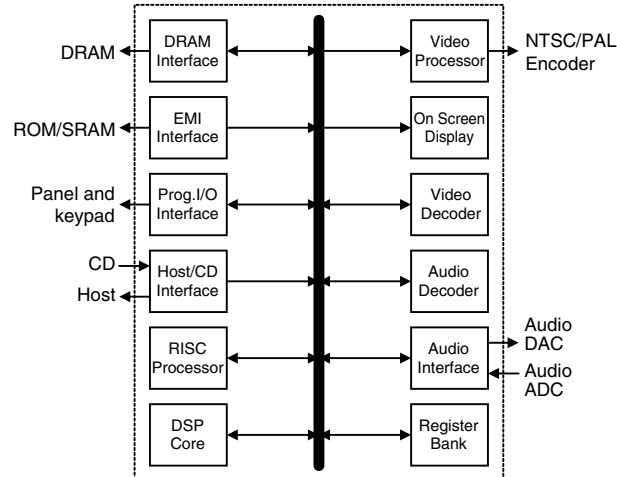
Pin No.	Symbol	I/O	Function
1	VCC	-	Power (5V±0.5V)
2 to 5	I/O0 to I/O3	I/O	Input/output
6	Vcc	-	Power (5V±0.5V)
7 to 10	I/O4 to I/O7	I/O	Input/output
11,12	NC	-	Not connect
13	\overline{WE}	-	Read/write control
14	\overline{RAS}	-	Row address strobe
15	NC	-	Not connect
16 to 19	A0 to A3	I	Address inputs
20	Vcc	-	Power (5V±0.5V)
21	GND	-	Ground
22 to 26	A4 to A8	I	Address inputs
27	\overline{OE}	O	Output enable
28	\overline{UCAS}	-	Column address strobe,upper byte
29	\overline{LCAS}	-	Column address strobe,lower byte
30	NC	-	Not connect
31 to 34	I/O8 to I/O11	I/O	Input/output
35	GND	-	Ground
36 to 39	I/O12 to I/O15	I/O	Input/output
40	GND	-	Ground

■ LS188 (IC703) : VCD decoder

1. Terminal layout



2. Block diagram



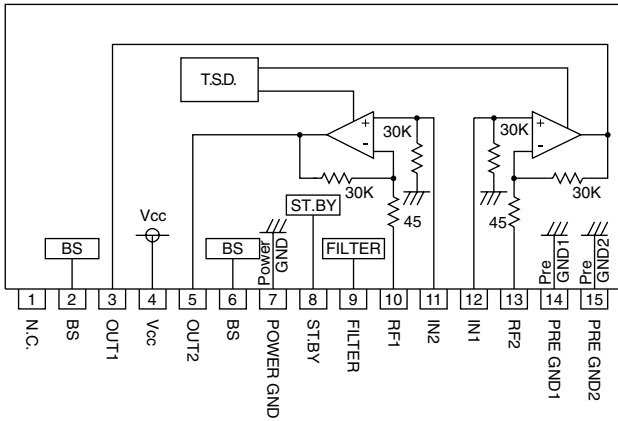
3. Pin function

Pin No.	Symbol	I/O	Function
1 to 3,22	EMI_A_9 to EMI_A_12	O	EMI address bus
4 to 11	EMI_D_7 to EMI_D_0	I	EMI data bus
12 to 15	EMI_A_0 to EMI_A_3	O	EMI address bus
16	VDD_IO_00	-	+3.3V
17,18,20,21	EMI_A_4 to EMI_A_7	O	EMI address bus
19	VSS_IO_00	-	+3.3V
23,24	EMI_A_15 to EMI_A_16	O	EMI address bus
25	EMI_A_18	O	EMI address bus
26	I2C_CLK	O	I2C clock
27	I2C_DAT	-	I2C data
28	VSS_OSC_0	-	GND
29	XTLCLK_I	I	Crystal input
30	XTLCLK_O	O	Crystal output
31	VDD_OSC_0	-	+3.3V
32	TEST_H	I	Test
33	RESET_L	I	Hardware reset
34	HSYNC_L	I	Horizontal sync
35	VSYNC_L	I	Vertical sync
36	CLK27_O	O	CLK 27MHz output
37 to 42	VDAT_7 to VDAT_2	O	Luminance output
43	VSS_CORE_00	-	GND
44,45	VDAT_1 to VDAT_0	O	Luminance output
46	VDD_CORE_00	-	+2.5V
47	AUD_XCK	-	External audio clock
48	AUD_BCK	O	Audio bit clock
49	AUD_LRCK	O	Audio left/right clock
50	AUD_DOUT	O	Audio data output
51	AUD_DIN	I	Audio data input
52 to 55	GPIO_23 to GPIO_20	-	Programmable I/O
56	VDD_IO_10	-	+3.3V
57,58	GPIO_19,GPIO_18	-	Programmable I/O
59	VSS_CORE_10	-	GND
60,61	GPIO_17,GPIO_16	-	Programmable I/O

Pin No.	Symbol	I/O	Function
62	VDD_CORE_10	-	+2.5V
63,64	GPIO_15,GPIO_14	-	Programmable I/O
65	VSS_IO_10	-	GND
66 to 79	GPIO_13 to GPIO_0	-	Programmable I/O
80	IR_IN	I	IR input
81	CD_DATA	I	CD serial data
82	CD_LRCK	I	CD left/right clock
83	CD_BCK	I	CD bit clock
84	CD_C2P0	I	CD data error flag
85	DR_D_0	-	DRAM data bus
86	DR_D_15	-	DRAM data bus
87	DR_D_1	-	DRAM data bus
88	DR_D_14	-	DRAM data bus
89	VDD_IO_20	-	+2.5V
90,91	DR_D_2,DR_D_13	-	DRAM data bus
92	VSS_IO_20	-	GND
93	DR_D_3	-	DRAM data bus
94	DR_D_12	-	DRAM data bus
95	DR_D_4	-	DRAM data bus
96	DR_D_11	-	DRAM data bus
97	DR_D_5	-	DRAM data bus
98	DR_D_10	-	DRAM data bus
99	VSS_PLL_0	-	GND
100	VDD_PLL_0	-	+2.5V
101	DR_D_6	-	DRAM data bus
102	DR_D_9	-	DRAM data bus
103,104	DR_D_7,DR_D_8	-	DRAM data bus
105	VSS_CORE_20	-	GND
106	LCAS_L	O	Lower column address strobe
107	DR_WE_L	O	Memory write enable
108	VDD_IO_30	-	+3.3V
109	UCAS_L	O	Upper column address strobe
110	URAS_L	O	Upper row address strobe
111	VDD_CORE_20	-	+2.5V
112	LRAS_L	O	Lower row address strobe
113	DR_A_8	O	DRAM address bus
114	DR_A_0	O	DRAM address bus
115	DR_A_7	O	DRAM address bus
116	DR_A_1	O	DRAM address bus
117	DR_A_6	O	DRAM address bus
118	VSS_IO_30	-	GND
119,120	DR_A_2,DR_A_5	O	DRAM address bus
121	VSS_CORE_30	-	GND
122,123	DR_A_3,DR_A_4	O	DRAM address bus
124	VDD_CORE_30	-	+2.5V
125	EMI_A_17	O	EMI address bus
126	EMI_A_14	O	EMI address bus
127	EMI_A_13	O	EMI address bus
128	EMI_A_8	O	EMI address bus

BA5417 (IC201) : Dual power amplifier

1. Terminal layout & Block diagram

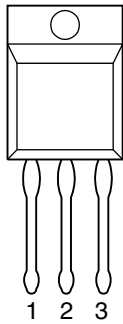


2. Pin function

Pin No.	Symbol	I/O	Function
1	NC	-	Not connect
2	BS	-	BS
3	OUT1	O	Output terminal
4	VCC	O	Power supply
5	OUT2	O	Output terminal
6	BS	O	BS
7	GND	O	Power GND
8	ST.BY	I	ST.BY
9	FILTER	I	Filter
10	RF1	-	RF1
11	IN2	-	Input terminal
12	IN1	-	Input terminal
13	RF2	-	RF2
14	PRE GND1	I/O	PRE GND
15	PRE GND2	O	PRE GND

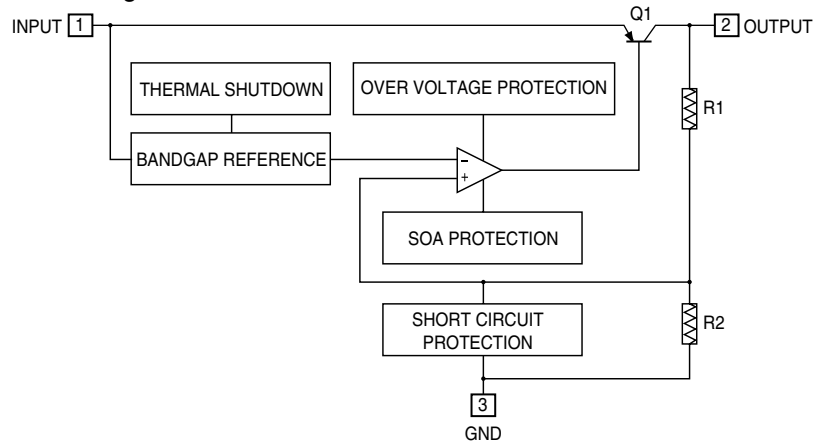
NJM7805FA (IC505) : Regulator

1. Terminal layout



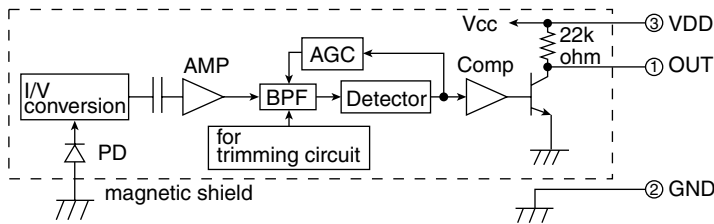
- 1.INPUT
- 2.OUTPUT
- 3.GND

2. Block diagram



RPM6938-V4 (IC402) : Remote control receiver

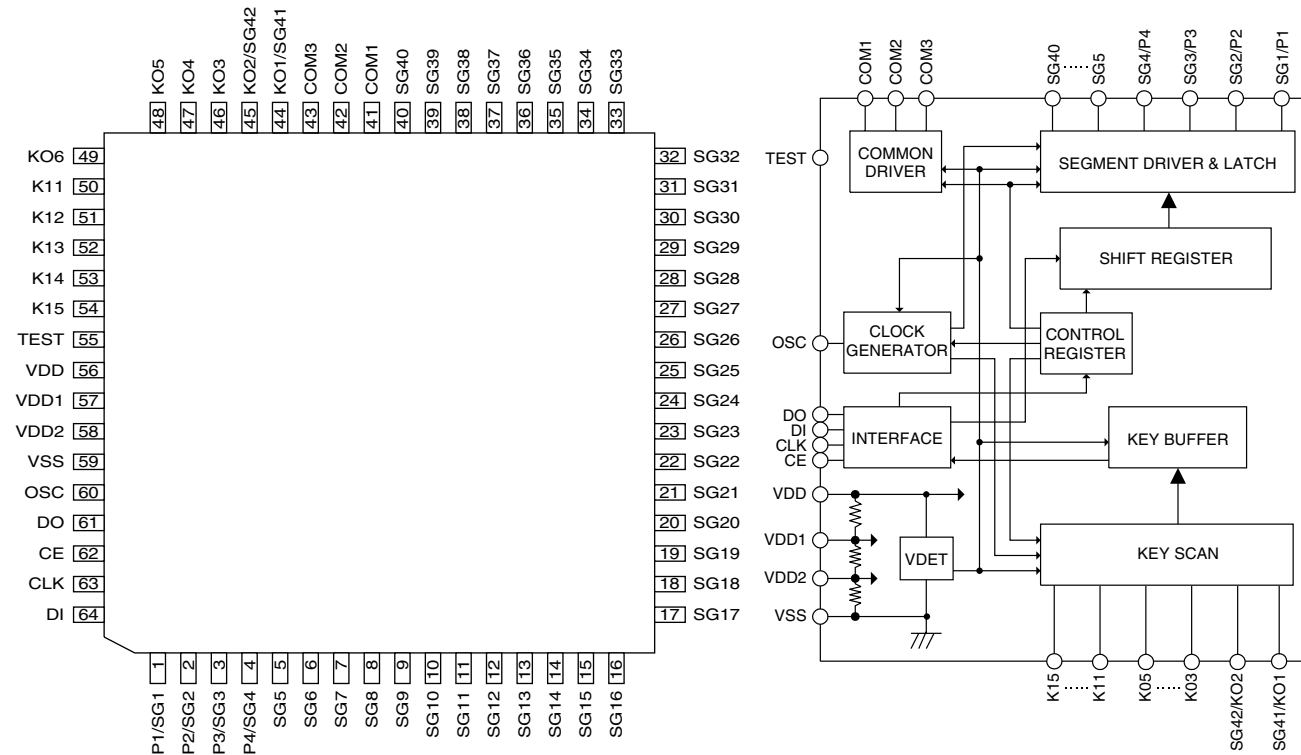
1. Block diagram



PT6553 (IC401) : LCD driver with key input function

1. Terminal layout

2. Block diagram

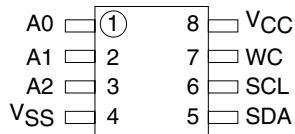


3. Pin function

Pin No.	Symbol	I/O	Function
1 to 4	SG1/P1 to SG4/P4	O	Segment output general purpose output pins under serial data control these pins may be used a general purpose output parts.
5 to 40	SG5 to SG40	O	Segment output pins
41,42,43	COM1,COM2,COM3	O	Common driver output pins
44	KO1/SG41	O	Key scan output segment output pin
45	KO2/SG42	O	Key scan output segment output pin
46 to 49	KO3 to KO6	O	Key scan output pins
50 to 54	K11 to K15	I	Key scan input pins
55	Test	I	Test pin
56	VDD	-	Power supply
57	VDD1	-	Power supply
58	VDD2	-	Power supply
59	VSS	-	Ground
60	OSC	I/O	Oscillator pin
61	DO	O	Data output pin
62	CE	I	Chip enable pin
63	CLK	I	Synchronization clock input pin
64	DI	I	Din transistor input pin

■ ST24C01 (IC302) : Serial access 1K(128x8) EEPROM

1. Terminal layout

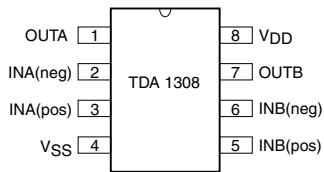


2. Pin function

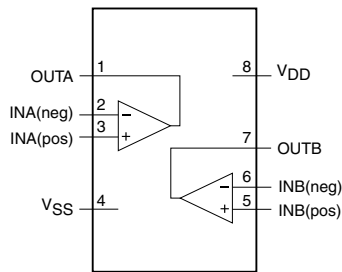
Pin No.	Symbol	I/O	Function
1	A0	I	Chip enable input
2	A1	I	Chip enable input
3	A2	I	Chip enable input
4	Vss	-	Ground
5	SDA	I/O	Serial data address input/output
6	SCL	-	Serial clock
7	WC	-	Write control (W version)
8	VCC	-	Supply voltage

■ TDA1308 (IC704) : Class AB stereo headphone driver

1. Terminal layout



2. Block diagram

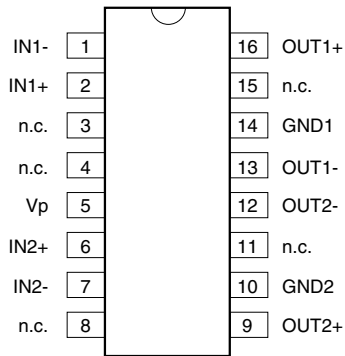


3. Pin function

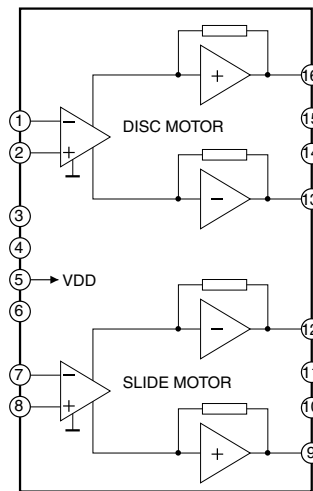
Pin No.	Symbol	I/O	Function
1	OUTA	O	Output A
2	INA(neg)	I	Inverting input A
3	INA(pos)	I	Non-inverting input A
4	Vss	-	Negative supply
5	INB(pos)	I	Non-inverting input B
6	INB(neg)	I	Inverting input B
7	OUTB	O	Output B
8	VDD	-	Positive supply

■ TDA7073 (IC502/IC503) : Dual BTL power driver

1. Terminal layout



2. Block diagram



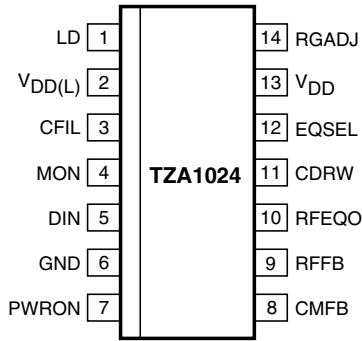
3. Pin function

Pin No.	Symbol	I/O	Function
1	IN1-	I	Negative input 1
2	IN1+	I	Positive input 1
3	n.c.	-	Not connect
4	n.c.	-	Not connect
5	Vp	-	Positive supply voltage
6	IN2+	I	Positive input 2
7	IN2-	I	Negative input 2
8	n.c.	-	Not connect
9	OUT2+	O	Positive output 2
10	GND2	-	Ground 2
11	n.c.	-	Not connect
12	OUT2-	O	Negative output 2
13	OUT1-	O	Negative output 1
14	GND1	-	Ground 1
15	n.c.	-	Not connect
16	OUT1+	O	Positive output 1

TZA1024 (IC504) : Data amplifier and laser supply

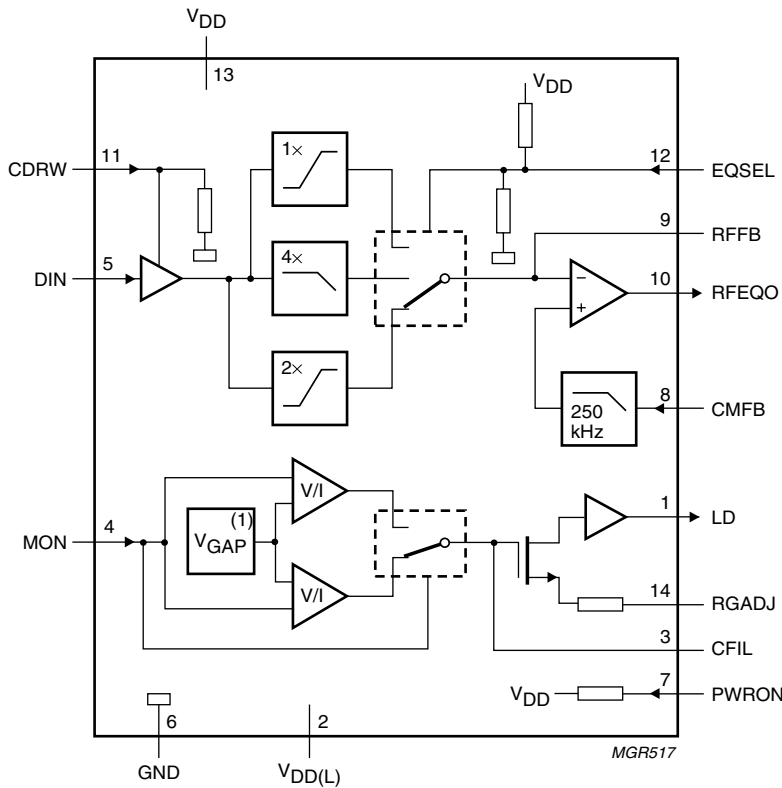
1. Terminal Layout

2. Pin function



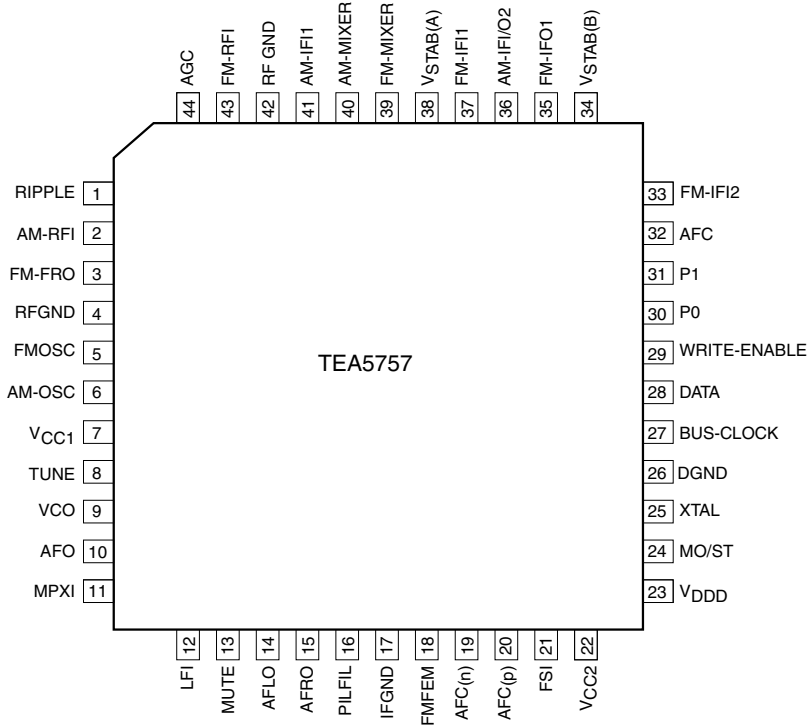
Pin No.	Symbol	I/O	Function
1	LD	O	Current output to laser diode
2	V _{DD(L)}	-	Laser supply voltage
3	CFIL	-	External filter capacitor
4	MON	I	Laser monitor diode input
5	DIN	I	Central diode input
6	GND	-	Ground
7	PWRON	I	Power-on select input
8	CMFB	I	Common mode feedback voltage input
9	RFFB	-	External RF feedback resistor
10	RFEQO	O	RF amplifier output
11	CDRW	I	Gain select input for CD-A/V, CD-R/W
12	EQSEL	I	Equalizer/speed select input (n=1,2 or 4)
13	V _{DD}	-	Supply voltage
14	RGADJ	-	External laser supply gain adjust resistor

3. Block diagram

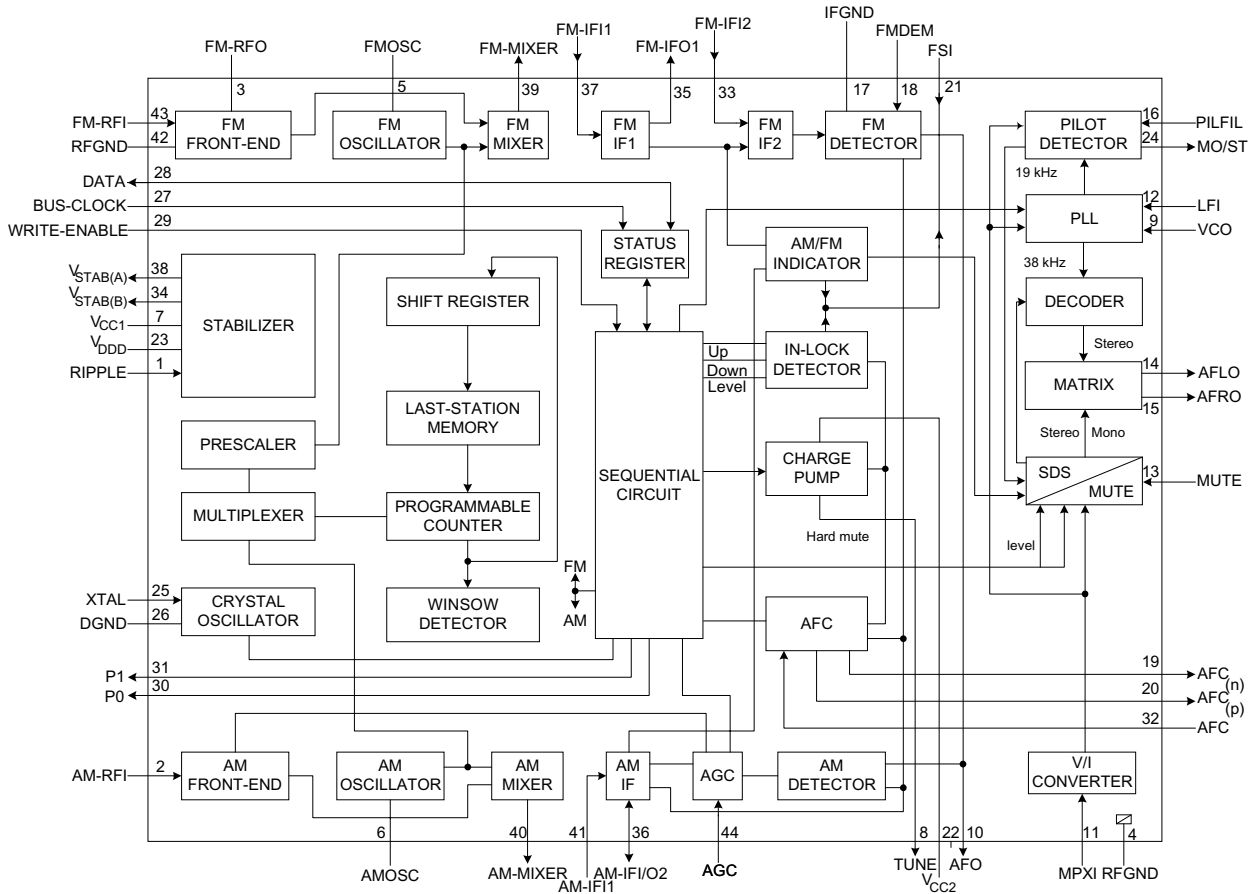


TEA5757(IC101): Self tuner radio (STR)

1. Terminal layout



2. Block diagram

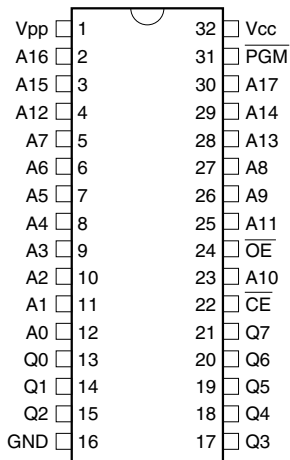


3. Pin function

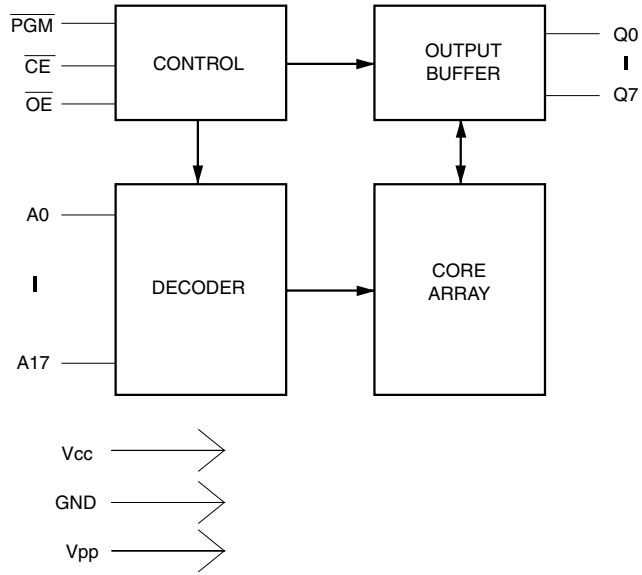
Pin No.	Symbol	I/O	Function
1	RIPPLE	I	Ripple capacitor input
2	AM-RFI	I	AM-RF input
3	FM-RFO	-	Parallel tuned FM-RF circuit to ground
4	RFGND	-	RF ground and substrate
5	FMOSC	-	Parallel tuned FM-oscillator circuit to ground
6	AMOSC	-	Parallel tuned AM-oscillator circuit to ground
7	VCC1	-	Supply voltage
8	TUNE	O	Tuning current output
9	VCO	I	Voltage controlled oscillator input
10	AFO	O	AM/FM AF output (output impedance typical 5k Ω)
11	MPXI	I	Stereo decoder input (input impedance typical 150k Ω)
12	LFI	I	Loop-filter input
13	MUTE	I	Mute input
14	AFLO	O	Left channel output (output impedance typical 4.3k Ω)
15	AFRO	O	Right channel output (output impedance typical 4.3k Ω)
16	PILFIL	I	Pilot detector filter input
17	IFGND	-	Grond of IF,detector and MPX stage
18	FMDEM	I	Ceramic discriminator input
19	AFC(n)	O	AFC negative output
20	AFC(p)	O	AFC positive output
21	FSI	-	Field-strength indicator
22	VCC2	-	Supply voltage for tuning
23	VDDD	-	Digital supply voltage
24	MO/ST	O	Mono/stereo and tunig indication output
25	XTAL	I	Crystal input
26	DGND	-	Digital ground
27	BUS-CLOCK	I	Bus-clock input
28	DATA	I/O	Bus data input/output
29	WRITE-ENABLE	I	Bus write-enable input
30	P0	O	Programmable output port (P0)
31	P1	O	Programmable output port (P1)
32	AFC	I	450kHz LC-input circuit
33	FM-IFI2	I	FM-IF input 2 (input impedanc typical 330 Ω)
34	VSTAB(B)	-	Internal stabilized supply voltage (B)
35	FM-IFO1	O	FM-IF output1 (output impedance typical 330 Ω)
36	AM-IFI/O2	I/O	Input/output to IF-Tank (IFT);output:current souce
37	FM-IFI1	I	FM-IF input1 (input impedance typical 330 Ω)
38	VSTAB(A)	-	Internal stabilized supply voltage (A)
39	FM-MIXER	O	Ceramic filter output (output impedance typical 330 Ω)
40	AM-MIXER	O	Open-collector output to IFT
41	AM-IFI1	I	IFT or ceramic filter input (input impedance typical 3k Ω)
42	RFGND	-	FM-RF ground
43	FM-RFI	I	FM-RF aerial input (input impedance typical 40 Ω)
44	AGC	I	AGC capacitor input

■ W27C020 (IC702) : EEPROM

1. Terminal layout



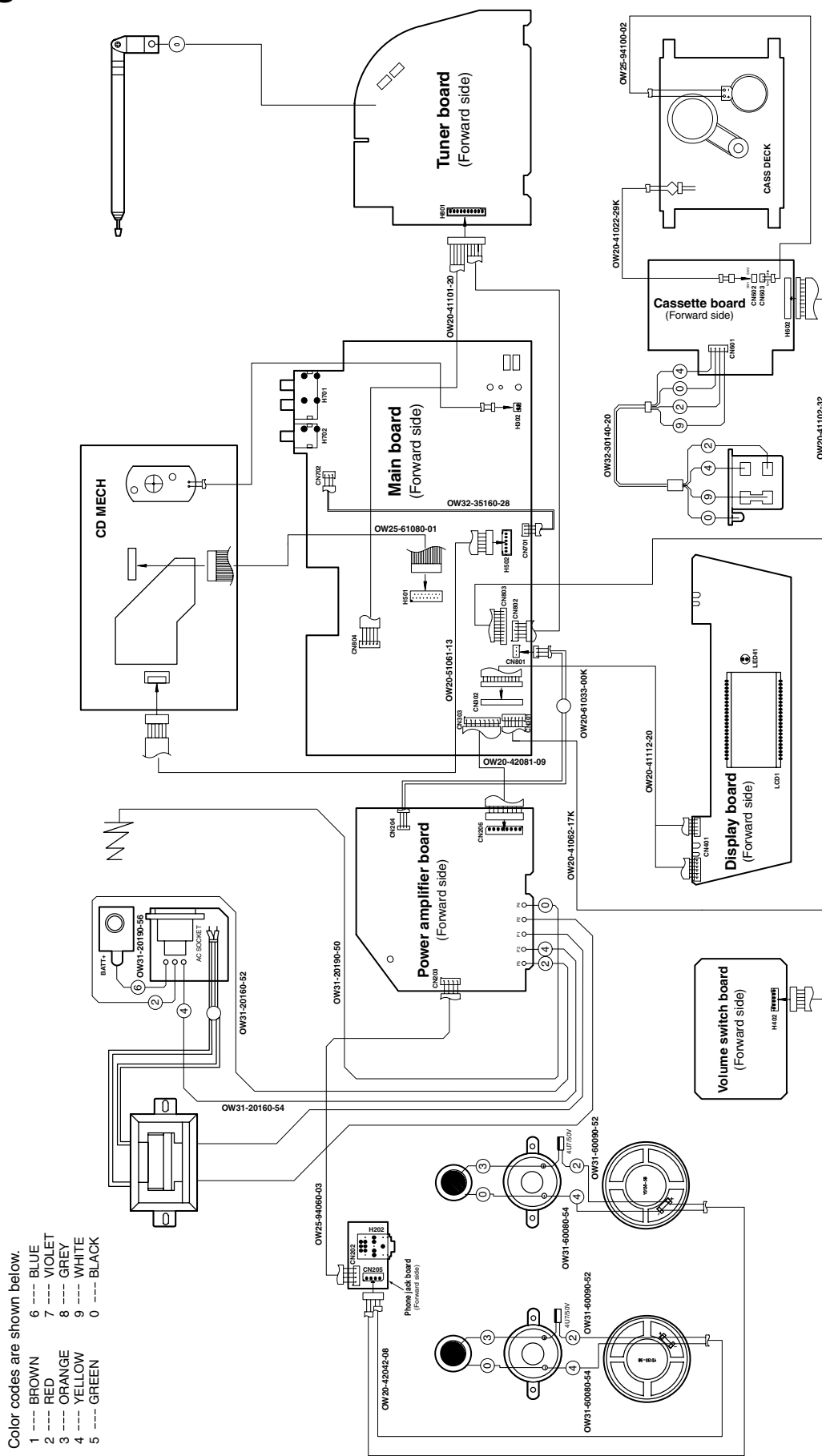
2. Block diagram



3. Pin function

Pin No.	Symbol	I/O	Function
1	Vpp	-	Program/Erase supply voltage
2 - 12	A16,A15,A12,A7 - A0	I	Address inputs
13 - 15	Q0 - Q2	I/O	Data inputs/ outputs
16	GND	-	Connect to GND
17 - 21	Q3 - Q7	I/O	Data inputs/ outputs
22	CE	-	Chip enable
23	A10	I	Address input
24	OE	O	Output enable
25 - 30	A11,A9,A8,A13,A14,A17	I	Address inputs
31	PGM	-	Program enable
32	Vcc	-	Power supply

Wiring connection





VICTOR COMPANY OF JAPAN, LIMITED

AUDIO & COMMUNICATION BUSINESS DIVISION

PERSONAL & MOBILE NETWORK BUSINESS UNIT. 10-1,1Chome,Ohwatari-machi,maebashi-city,371-8543,Japan

JVC

SCHEMATIC DIAGRAMS

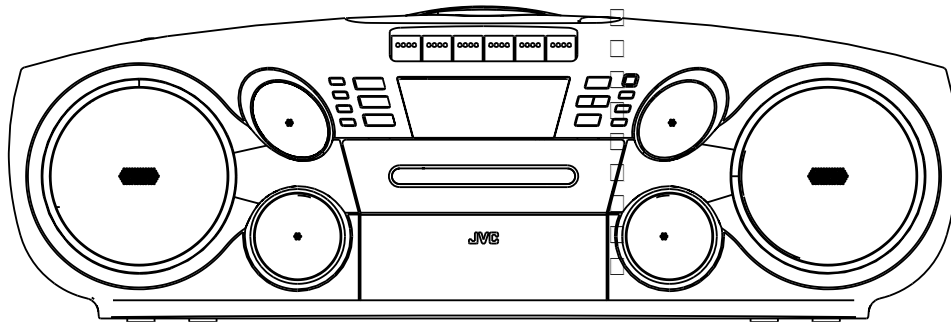
CD PORTABLE SYSTEM

RC-BM5

CD-ROM No.SML200210

Area suffix

J ----- U.S.A.
C ----- Canada



COMPACT
disc
DIGITAL AUDIO

Contents

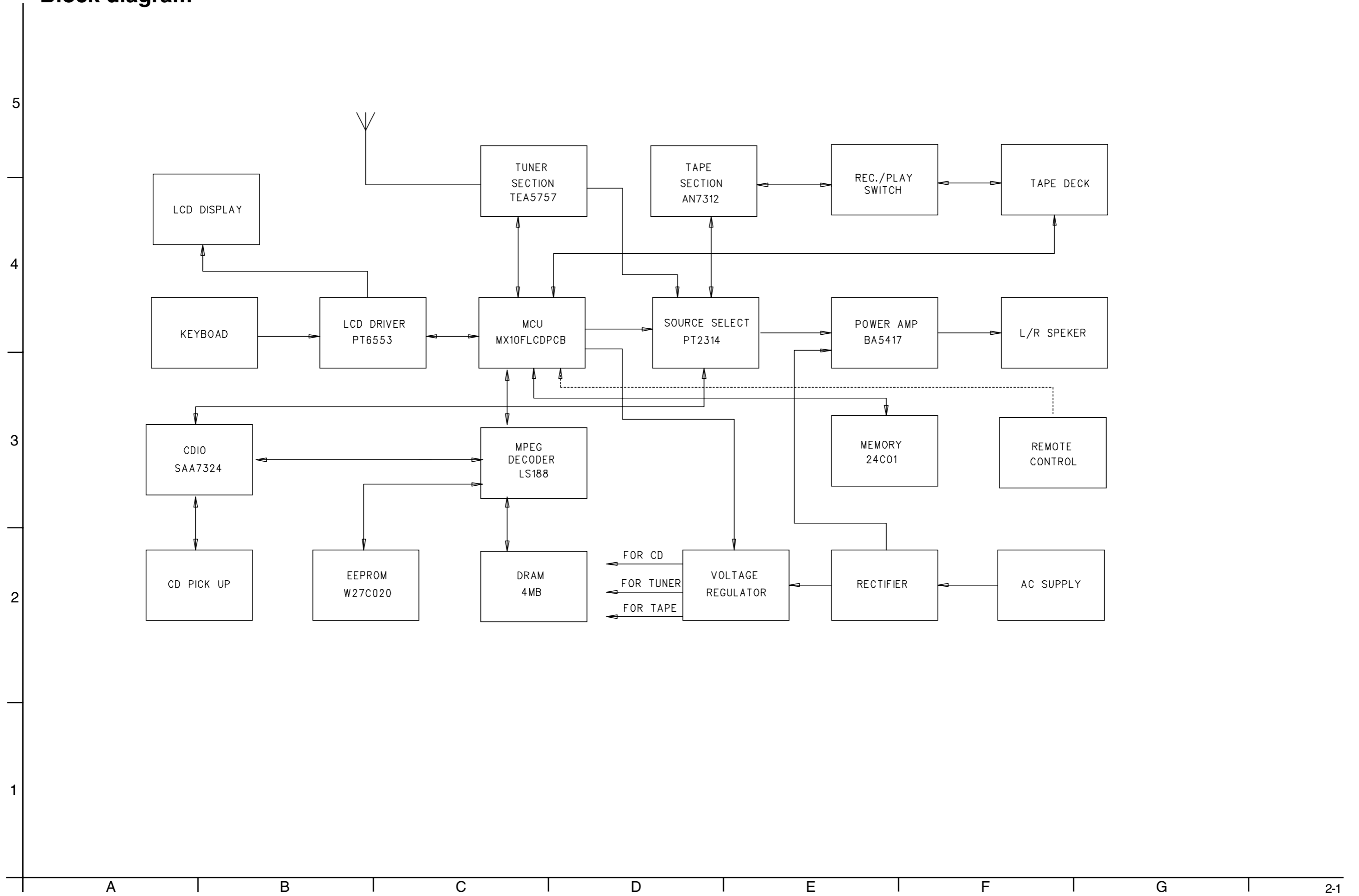
Block diagram	2-1
Standard schematic diagrams	2-2
Printed circuit boards	2-8 ~ 11

RC-BM5

In regard with component parts appearing on the silk-screen printed side (parts side) of the PWB diagrams, the parts that are printed over with black such as the resistor (■), diode (▬) and ICP (●) or identified by the "⚠" mark nearby are critical for safety.

(This regulation does not correspond to J and C version.)

Block diagram



Standard schematic diagrams

Main section

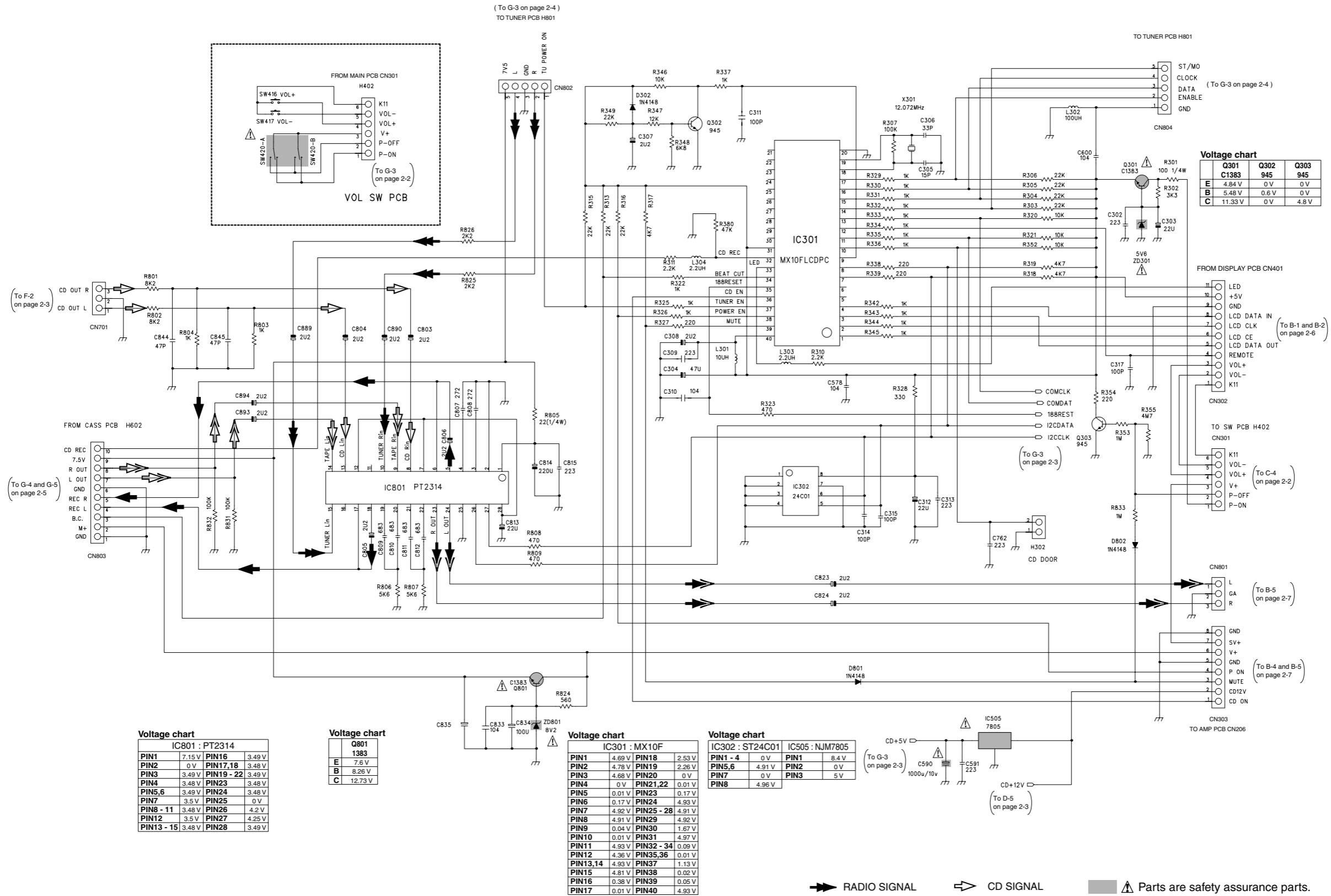
5

4

3

2

1



Voltage chart

	Q301 C1383	Q302 945	Q303 945
E	4.84 V	0 V	0 V
B	5.48 V	0.6 V	0 V
C	11.33 V	0 V	4.8 V

Voltage chart

IC801 : PT2314

PIN	V	PIN	V
PIN1	7.15 V	PIN16	3.49 V
PIN2	0 V	PIN17,18	3.48 V
PIN3	3.49 V	PIN19 - 22	3.49 V
PIN4	3.48 V	PIN23	3.48 V
PIN5,6	3.49 V	PIN24	3.48 V
PIN7	3.5 V	PIN25	0 V
PIN8 - 11	3.48 V	PIN26	4.2 V
PIN12	3.5 V	PIN27	4.25 V
PIN13 - 15	3.48 V	PIN28	3.49 V

Voltage chart

Q801
1383

Point	V
E	7.6 V
B	8.26 V
C	12.73 V

Voltage chart

IC301 : MX10F

PIN	V	PIN	V
PIN1	4.69 V	PIN18	2.53 V
PIN2	4.78 V	PIN19	2.26 V
PIN3	4.68 V	PIN20	0 V
PIN4	0 V	PIN21,22	0.01 V
PIN5	0.01 V	PIN23	0.17 V
PIN6	0.17 V	PIN24	4.93 V
PIN7	4.92 V	PIN25 - 28	4.91 V
PIN8	4.91 V	PIN29	4.92 V
PIN9	0.04 V	PIN30	1.67 V
PIN10	0.01 V	PIN31	4.97 V
PIN11	4.93 V	PIN32 - 34	0.09 V
PIN12	4.36 V	PIN35,36	0.01 V
PIN13,14	4.93 V	PIN37	1.13 V
PIN15	4.81 V	PIN38	0.02 V
PIN16	0.38 V	PIN39	0.05 V
PIN17	0.01 V	PIN40	4.93 V

Voltage chart

IC302 : ST24C01

Point	V	PIN	V
PIN1 - 4	0 V	PIN1	8.4 V
PIN5,6	4.91 V	PIN2	0 V
PIN7	0 V	PIN3	5 V
PIN8	4.96 V		

- ➔ RADIO SIGNAL
- ➔ TAPE PB SIGNAL
- ➔ TAPE REC SIGNAL
- ➔ CD SIGNAL
- ➔ MAIN SIGNAL

⚠ Parts are safety assurance parts. When replacing those parts make sure to use the specified one.

CD control section

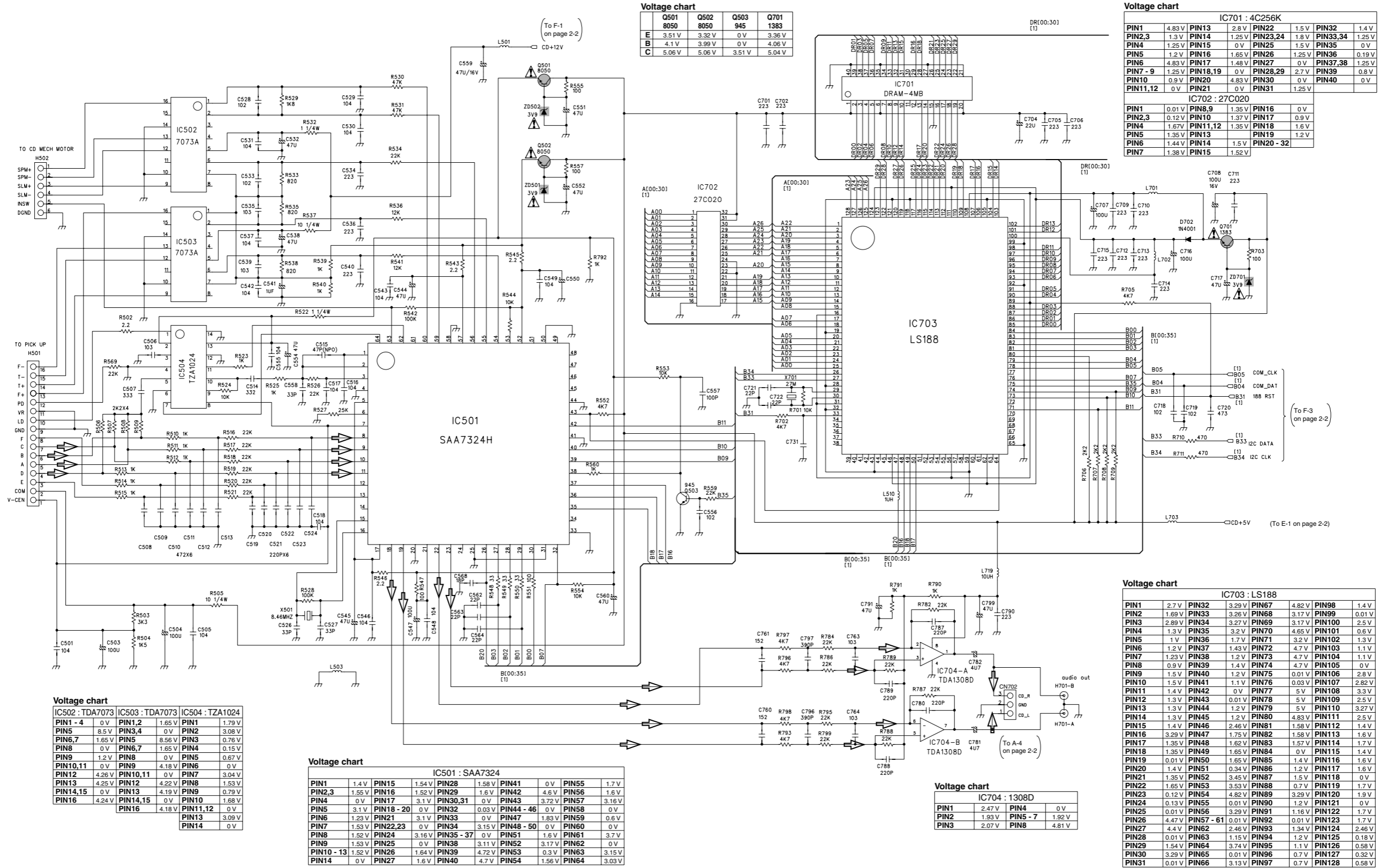
5

4

3

2

1



Voltage chart

	Q501 8050	Q502 8050	Q503 945	Q701 1383
E	3.51 V	3.32 V	0 V	3.36 V
B	4.1 V	3.99 V	0 V	4.06 V
C	5.06 V	5.06 V	3.51 V	5.04 V

Voltage chart

IC701 : 4C256K							
PIN1	4.83 V	PIN13	2.8 V	PIN22	1.5 V	PIN32	1.4 V
PIN2,3	1.3 V	PIN14	1.25 V	PIN23,24	1.8 V	PIN33,34	1.25 V
PIN4	1.25 V	PIN15	0 V	PIN25	1.5 V	PIN35	0 V
PIN5	1.2 V	PIN16	1.65 V	PIN26	1.25 V	PIN36	0.19 V
PIN6	4.83 V	PIN17	1.48 V	PIN27	0 V	PIN37,38	1.25 V
PIN7 - 9	1.25 V	PIN18,19	0 V	PIN28,29	2.7 V	PIN39	0.8 V
PIN10	0.9 V	PIN20	4.83 V	PIN30	0 V	PIN40	0 V
PIN11,12	0 V	PIN21	0 V	PIN31	1.25 V		

Voltage chart

IC702 : 27C020							
PIN1	0.01 V	PIN8,9	1.35 V	PIN16	0 V		
PIN2,3	0.12 V	PIN10	1.37 V	PIN17	0.9 V		
PIN4	1.67 V	PIN11,12	1.35 V	PIN18	1.6 V		
PIN5	1.35 V	PIN13	1.35 V	PIN19	1.2 V		
PIN6	1.44 V	PIN14	1.5 V	PIN20 - 32			
PIN7	1.38 V	PIN15	1.52 V				

Voltage chart

IC502 : TDA7073			IC503 : TDA7073			IC504 : TZA1024		
PIN1 - 4	0 V	PIN1,2	1.65 V	PIN1	1.79 V			
PIN5	8.5 V	PIN3,4	0 V	PIN2	3.08 V			
PIN6,7	1.65 V	PIN5	8.56 V	PIN3	0.76 V			
PIN8	0 V	PIN6,7	1.65 V	PIN4	0.15 V			
PIN9	1.2 V	PIN8	0 V	PIN5	0.67 V			
PIN10,11	0 V	PIN9	4.18 V	PIN6	0 V			
PIN12	4.26 V	PIN10,11	0 V	PIN7	3.04 V			
PIN13	4.25 V	PIN12	4.22 V	PIN8	1.53 V			
PIN14,15	0 V	PIN13	4.19 V	PIN9	0.79 V			
PIN16	4.24 V	PIN14,15	0 V	PIN10	1.68 V			
		PIN16	4.18 V	PIN11,12	0 V			
				PIN13	3.09 V			
				PIN14	0 V			

Voltage chart

IC501 : SAA7324											
PIN1	1.4 V	PIN15	1.54 V	PIN28	1.58 V	PIN41	0 V	PIN55	1.7 V		
PIN2,3	1.55 V	PIN16	1.52 V	PIN29	1.6 V	PIN42	4.6 V	PIN56	1.6 V		
PIN4	0 V	PIN17	3.1 V	PIN30,31	0 V	PIN43	3.72 V	PIN57	3.16 V		
PIN5	3.1 V	PIN18 - 20	0 V	PIN32	0.03 V	PIN44 - 46	0 V	PIN58	0 V		
PIN6	1.23 V	PIN21	3.1 V	PIN33	0 V	PIN47	1.83 V	PIN59	0.6 V		
PIN7	1.53 V	PIN22,23	0 V	PIN34	3.15 V	PIN48 - 50	0 V	PIN60	0 V		
PIN8	1.52 V	PIN24	3.16 V	PIN35 - 37	0 V	PIN51	1.6 V	PIN61	3.7 V		
PIN9	1.53 V	PIN25	0 V	PIN38	3.11 V	PIN52	3.17 V	PIN62	0 V		
PIN10 - 13	1.52 V	PIN26	1.64 V	PIN39	4.72 V	PIN53	0.3 V	PIN63	3.15 V		
PIN14	0 V	PIN27	1.6 V	PIN40	4.7 V	PIN54	1.56 V	PIN64	3.03 V		

Voltage chart

IC703 : LS188											
PIN1	2.7 V	PIN32	3.29 V	PIN67	4.82 V	PIN98	1.4 V				
PIN2	1.69 V	PIN33	3.26 V	PIN68	3.17 V	PIN99	0.01 V				
PIN3	2.89 V	PIN34	3.27 V	PIN69	3.17 V	PIN100	2.5 V				
PIN4	1.3 V	PIN35	3.2 V	PIN70	4.65 V	PIN101	0.6 V				
PIN5	1 V	PIN36	1.7 V	PIN71	3.2 V	PIN102	1.3 V				
PIN6	1.2 V	PIN37	1.43 V	PIN72	4.7 V	PIN103	1.1 V				
PIN7	1.23 V	PIN38	1.2 V	PIN73	4.7 V	PIN104	1.1 V				
PIN8	0.9 V	PIN39	1.4 V	PIN74	4.7 V	PIN105	0 V				
PIN9	1.5 V	PIN40	1.2 V	PIN75	0.01 V	PIN106	2.8 V				
PIN10	1.5 V	PIN41	1.1 V	PIN76	0.03 V	PIN107	2.82 V				
PIN11	1.4 V	PIN42	0 V	PIN77	5 V	PIN108	3.3 V				
PIN12	1.3 V	PIN43	0.01 V	PIN78	5 V	PIN109	2.5 V				
PIN13	1.3 V	PIN44	1.2 V	PIN79	5 V	PIN110	3.27 V				
PIN14	1.3 V	PIN45	1.2 V	PIN80	4.83 V	PIN111	2.5 V				
PIN15	1.4 V	PIN46	2.46 V	PIN81	1.58 V	PIN112	1.4 V				
PIN16	3.29 V	PIN47	1.75 V	PIN82	1.58 V	PIN113	1.6 V				
PIN17	1.35 V	PIN48	1.82 V	PIN83	1.57 V	PIN114	1.7 V				
PIN18	1.35 V	PIN49	1.85 V	PIN84	0 V	PIN115	1.4 V				
PIN19	1.4 V	PIN50	1.85 V	PIN85	1.4 V	PIN116	1.6 V				
PIN20	0.01 V	PIN51	0.34 V	PIN86	1.5 V	PIN117	1.6 V				
PIN21	1.35 V	PIN52	3.53 V	PIN87	1.5 V	PIN118	0 V				
PIN22	1.65 V	PIN53	3.53 V	PIN88	0.7 V	PIN119	1.7 V				
PIN23	0.12 V	PIN54	4.82 V	PIN89	3.29 V	PIN120	1.9 V				
PIN24	0.13 V	PIN55	0.01 V	PIN90	1.2 V	PIN121	0 V				
PIN25	0.01 V	PIN56	3.29 V	PIN91	1.16 V	PIN122	1.7 V				
PIN26	4.47 V	PIN57 - 61	0.01 V	PIN92	0.01 V	PIN123	1.7 V				
PIN27	4.4 V	PIN62	2.46 V	PIN93	1.34 V	PIN124	2.46 V				
PIN28	0.01 V	PIN63	1.15 V	PIN94	1.2 V	PIN125	0.18 V				
PIN29	1.54 V	PIN64	3.74 V	PIN95	1.1 V	PIN126	0.58 V				
PIN30	3.29 V	PIN65	0.01 V	PIN96	0.7 V	PIN127	0.32 V				
PIN31	0.01 V	PIN66	3.13 V	PIN97	0.7 V	PIN128	0.58 V				

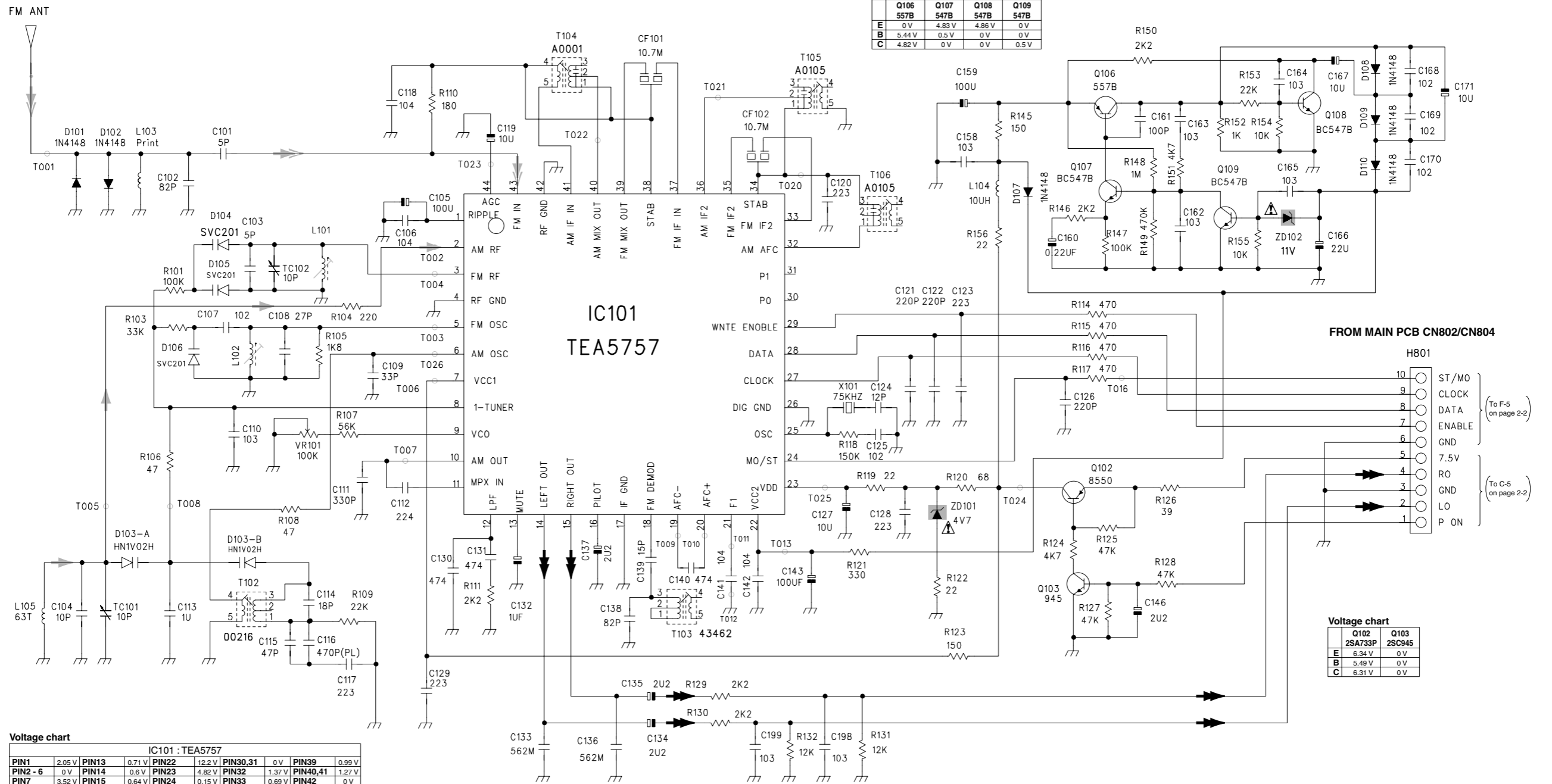
Voltage chart

IC704 : 1308D			
PIN1	2.47 V	PIN4	0 V
PIN2	1.93 V	PIN5 - 7	1.92 V
PIN3	2.07 V	PIN8	4.81 V

⇒ CD SIGNAL

⚠ Parts are safety assurance parts. When replacing those parts make sure to use the specified one.

Tuner section



Voltage chart

	Q106 557B	Q107 547B	Q108 547B	Q109 547B
E	0 V	4.83 V	4.86 V	0 V
B	5.44 V	0.5 V	0 V	0 V
C	4.82 V	0 V	0 V	0.5 V

Voltage chart

	Q102 2SA733P	Q103 2SC945
E	6.34 V	0 V
B	5.49 V	0 V
C	6.31 V	0 V

Voltage chart

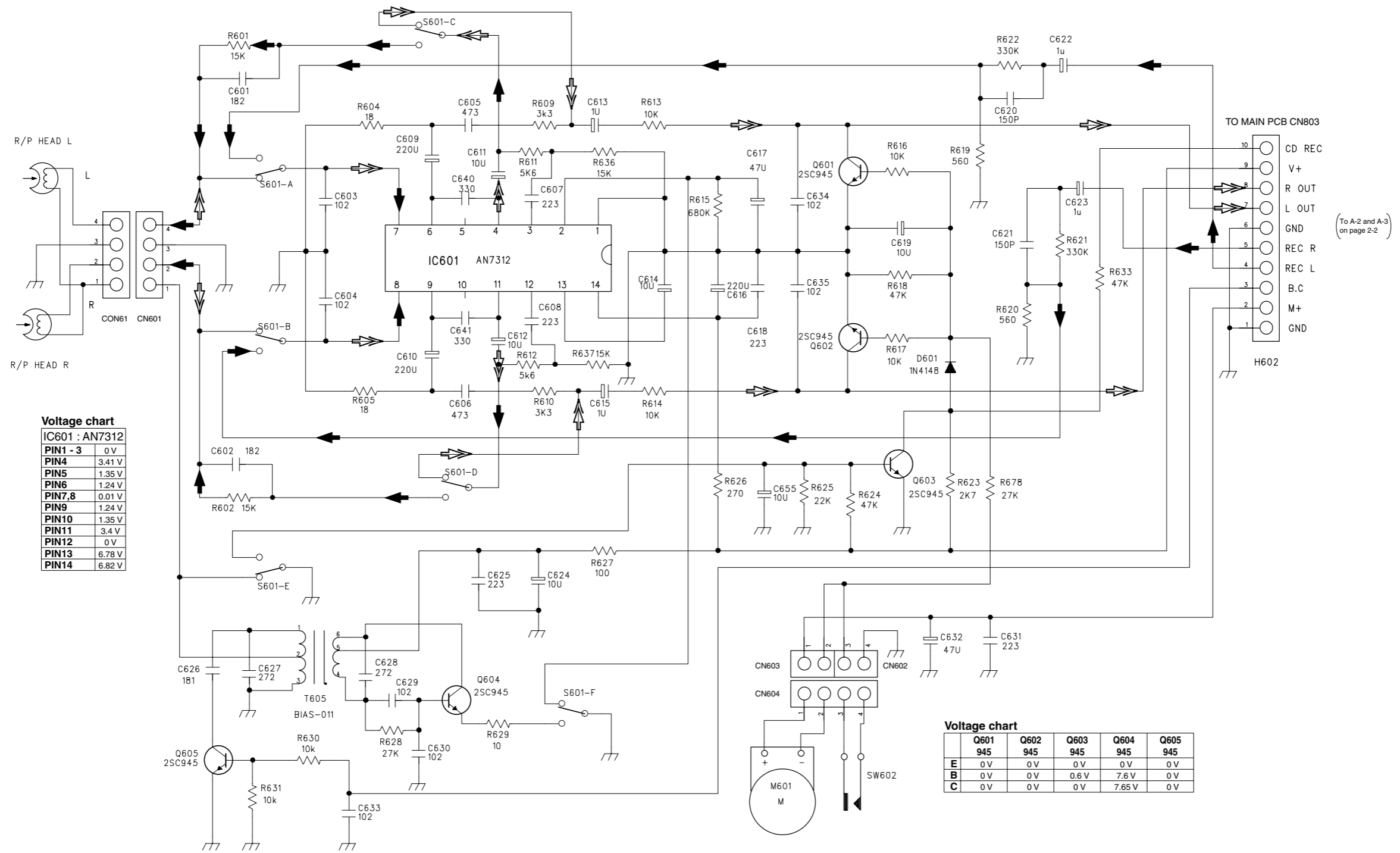
IC101 : TEA5757					
PIN1	2.05 V	PIN13	0.71 V	PIN22	12.2 V
PIN2-6	0 V	PIN14	0.6 V	PIN23	4.82 V
PIN7	3.52 V	PIN15	0.64 V	PIN24	0.15 V
PIN8	4.15 V	PIN16	0.9 V	PIN25	1.34 V
PIN9	0.97 V	PIN17	0 V	PIN26	0 V
PIN10	0.64 V	PIN18	1 V	PIN27	4.79 V
PIN11	1.21 V	PIN19,20	1.11 V	PIN28	0.24 V
PIN12	0.78 V	PIN21	1.75 V	PIN29	0.23 V
				PIN30,31	0 V
				PIN32	1.37 V
				PIN33	0.69 V
				PIN34	1.37 V
				PIN35	0.64 V
				PIN36	1.37 V
				PIN37	0.54 V
				PIN38	1.27 V
				PIN39	0.99 V
				PIN40,41	1.27 V
				PIN42	0 V
				PIN43	0.75 V
				PIN44	0.21 V

AM SIGNAL
 FM SIGNAL
 RADIO SIGNAL
 Parts are safety assurance parts. When replacing those parts make sure to use the specified one.

5
4
3
2
1

A B C 24 D E F G H

■ Cassette section



Voltage chart
IC601 : AN7312

PIN1 - 3	0V
PIN4	3.41 V
PIN5	1.35 V
PIN6	1.24 V
PIN7,8	0.01 V
PIN9	1.24 V
PIN10	1.35 V
PIN11	3.4 V
PIN12	0V
PIN13	6.78 V
PIN14	6.82 V

Voltage chart

	Q601 945	Q602 945	Q603 945	Q604 945	Q605 945
E	0V	0V	0V	0V	0V
B	0V	0V	0.6V	7.6V	0V
C	0V	0V	0V	7.65V	0V

⇨ TAPE PB SIGNAL
 ⇨ TAPE REC SIGNAL

(To A-2 and A-3 on page 2-2)

5
4
3
2
1

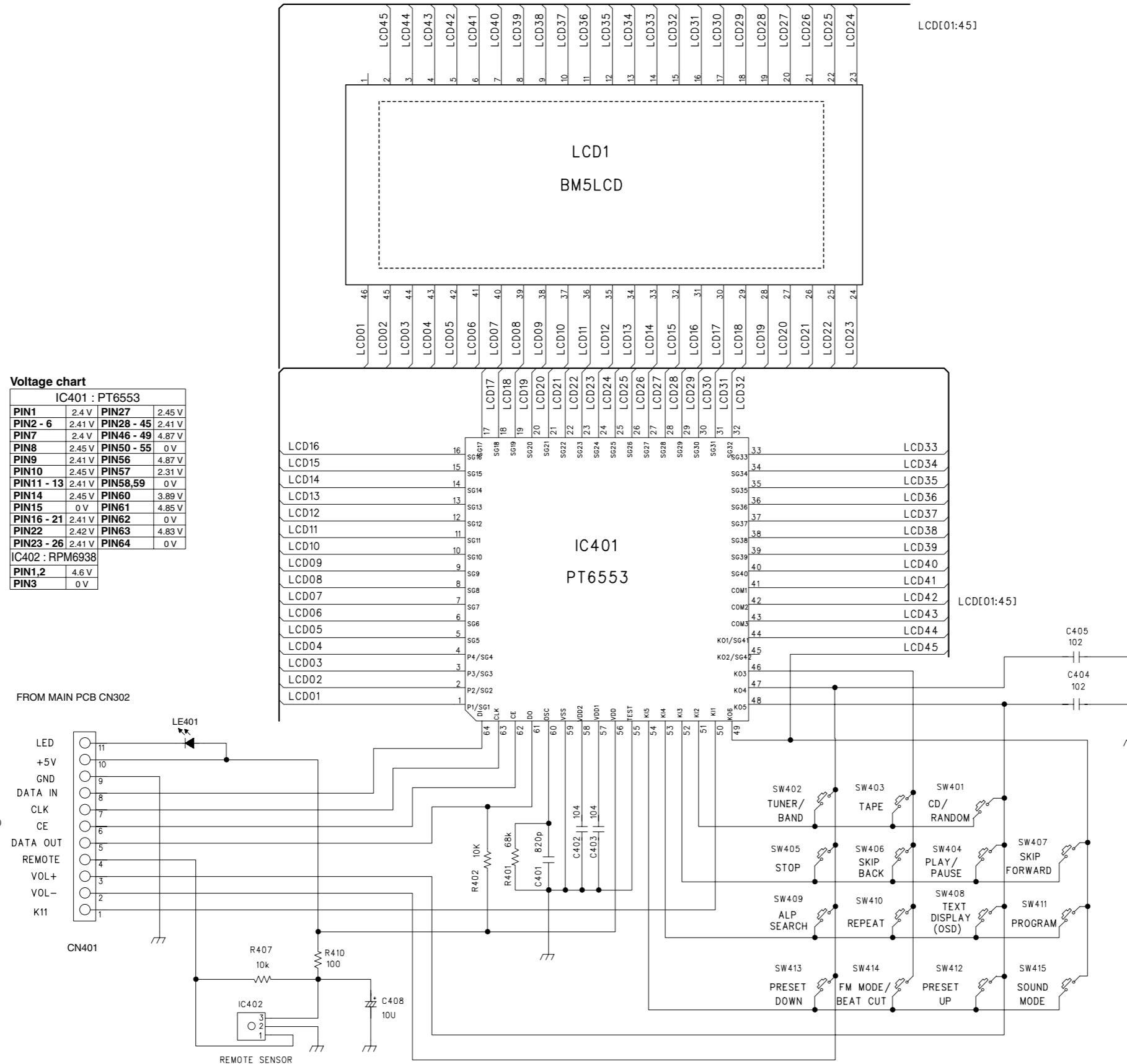
A B C D E F G 2-5

Display section

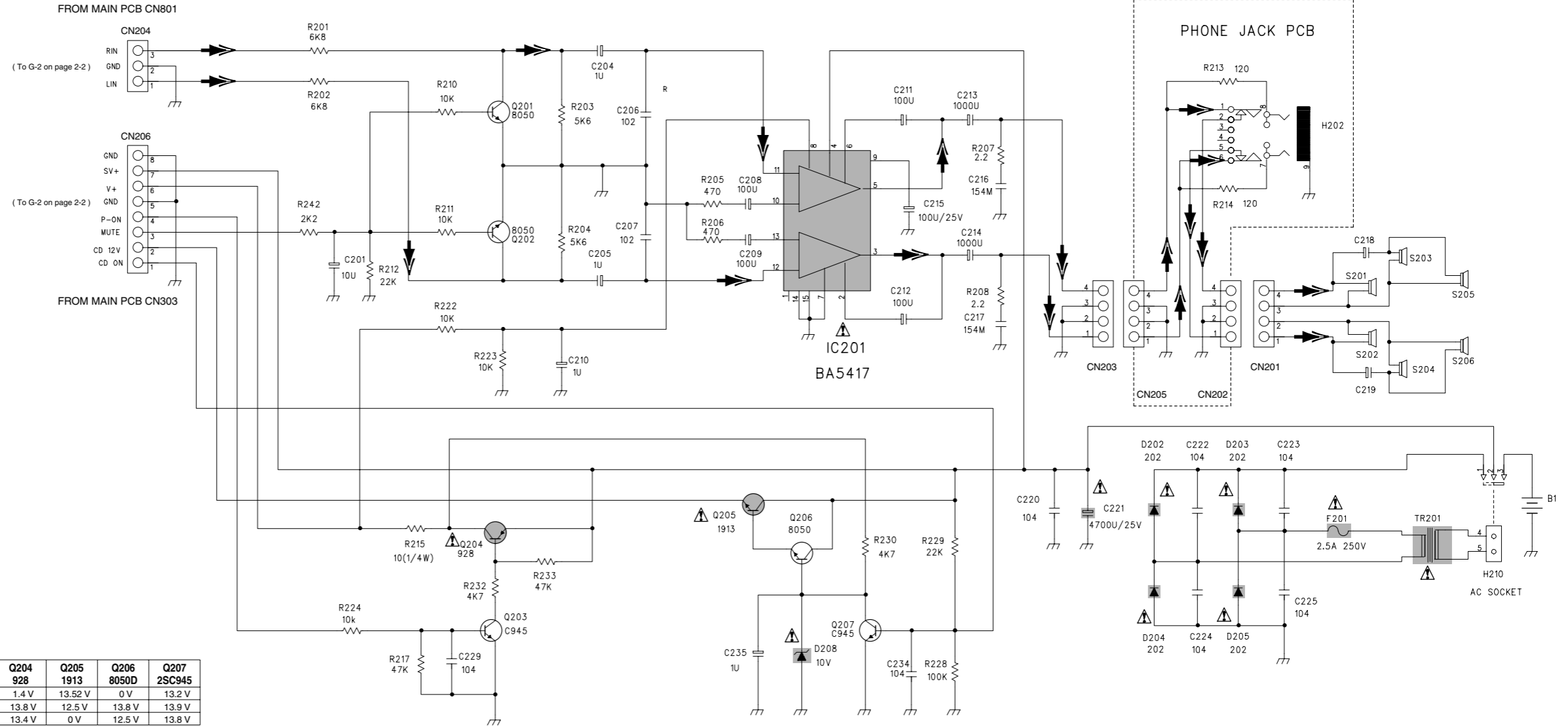
5
4
3
2
1
A B C D E F G H

Voltage chart

IC401 : PT6553			
PIN1	2.4 V	PIN27	2.45 V
PIN2 - 6	2.41 V	PIN28 - 45	2.41 V
PIN7	2.4 V	PIN46 - 49	4.87 V
PIN8	2.45 V	PIN50 - 55	0 V
PIN9	2.41 V	PIN56	4.87 V
PIN10	2.45 V	PIN57	2.31 V
PIN11 - 13	2.41 V	PIN58,59	0 V
PIN14	2.45 V	PIN60	3.89 V
PIN15	0 V	PIN61	4.85 V
PIN16 - 21	2.41 V	PIN62	0 V
PIN22	2.42 V	PIN63	4.83 V
PIN23 - 26	2.41 V	PIN64	0 V
IC402 : RPM6938			
PIN1,2	4.6 V		
PIN3	0 V		



■ Power amplifier and power supply section



Voltage chart

IC201 : BA5417	
PIN1 - 3	0V
PIN4	14.75V
PIN5	4.77V
PIN6	14.18V
PIN7,8	0V
PIN9	7.99V
PIN10 - 15	0V

Voltage chart

	Q201 8050D	Q202 8050D	Q203 2SC945	Q204 928	Q205 1913	Q206 8050D	Q207 2SC945
E	0V	0V	0.6V	1.4V	13.52V	0V	13.2V
B	0V	0V	0V	13.8V	12.5V	13.8V	13.9V
C	0V	0V	2.87V	13.4V	0V	12.5V	13.8V

WARING

AFTER COMPLETING THE SERVICING OF THIS PRODUCT AND BEFORE RETURNING IT TO YOUR CUSTOMER MEASURE THE RESISTANCE BETWEEN BOTH PRONGS OF THE AC PLUG AND ALL EXPOSED METALPARTS TO BE SURE IT EXCEEDS 2.2 MEGAOHMS (POWER SWITCH IF ANY SHOULD BE IN ITS ON POSITION). IF THE RESISTANCE MEASURED IS LEES THAN 2.2 MEGAOHMS, THE UNIT SHOULD NOT BE RETURNED TO THE CUSTOMER UNTIL THE CAUSE FOR THE REDUCED POWER LINE TO EXPOSED METAL PARTS RESISTANCE HAS BEEN CORRECTED AND THE UNIT PASSED THE ABOVE TEST.

⚠ THIS MARK INDICATES THAT THE ADJACENT COMPONENT IS CONSIDERED CRITICAL WHEN REPLACING TO THE RISK OF FIRE AND ELECTRICAL SHOCK ASSOCIATED WITH THIS PRODUCT. WITH RESPECT ANY OF THESE COMPONENTS, USE ONLY PARTS SUPPLIED BY MANUFACTURES WHOSE PART NUMBERS ARE INDICATED ON THE PARTS LIST ATTACHED.

SERVICING INSTRUCTIONS

1. DISCONNECT POWER CORD BEFORE SERVICING.
2. REPLACE CRITICAL COMPONENTS ⚠ ONLY WITH FACTORY PARTS OR RECOMMED EQUIVALENTS.
3. FOR AC LINE POWERED UNITS - BEFORE RETURNING REPAIRED UNIT TO USER, USE AN OHMMETER TO MEASURE FROM BOTH AC PLUG BLADES TO ALL EXPOSED METALLIC PARTS. THE RESISTANCE SHOULD BE MORE THAN 100,000 OHMS.

➡ MAIN SIGNAL

⚠ Parts are safety assurance parts. When replacing those parts make sure to use the specified one.

5
4
3
2
1

Printed circuit boards

■ Main board

Reverse side

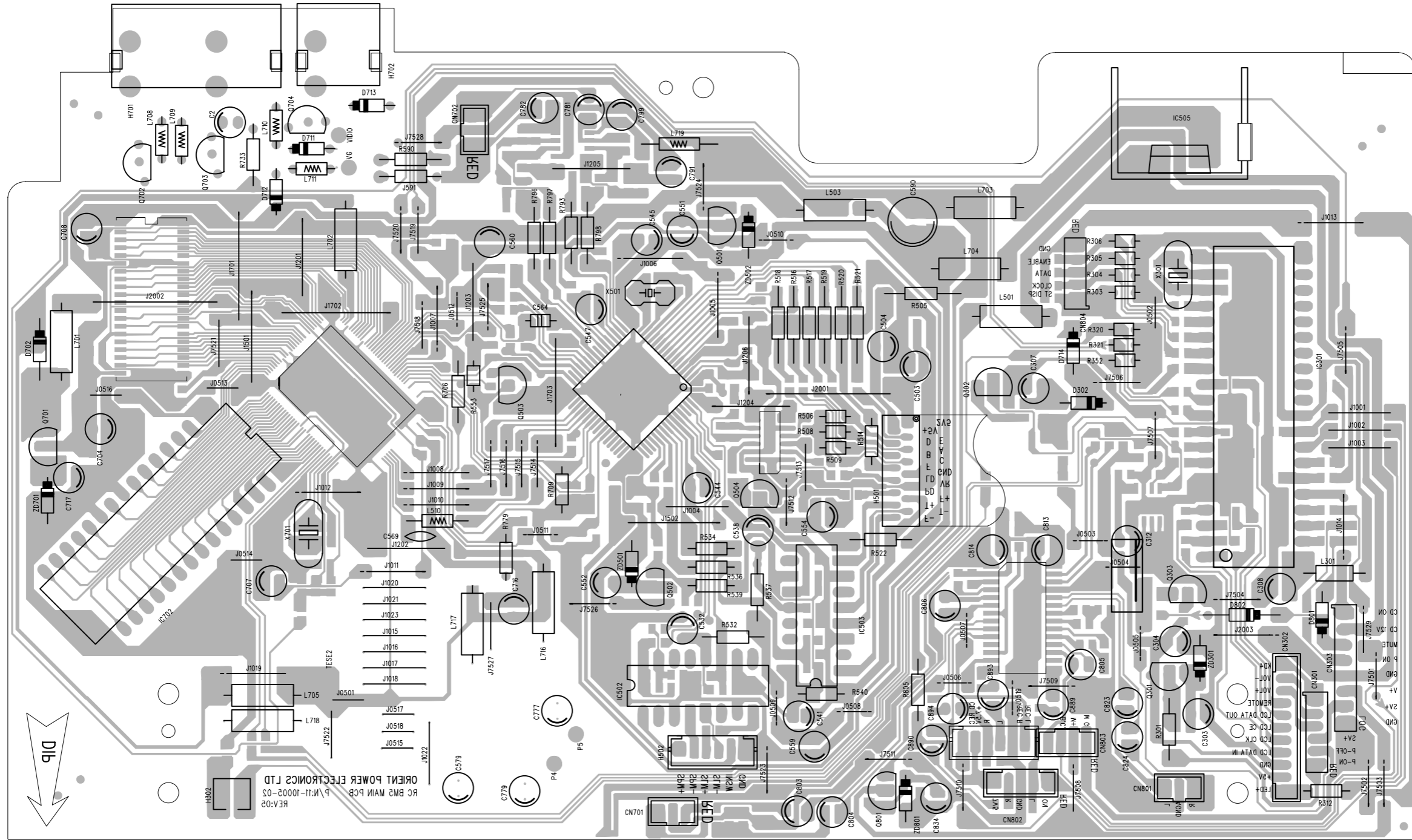
5

4

3

2

1



A

B

C

2-8

D

E

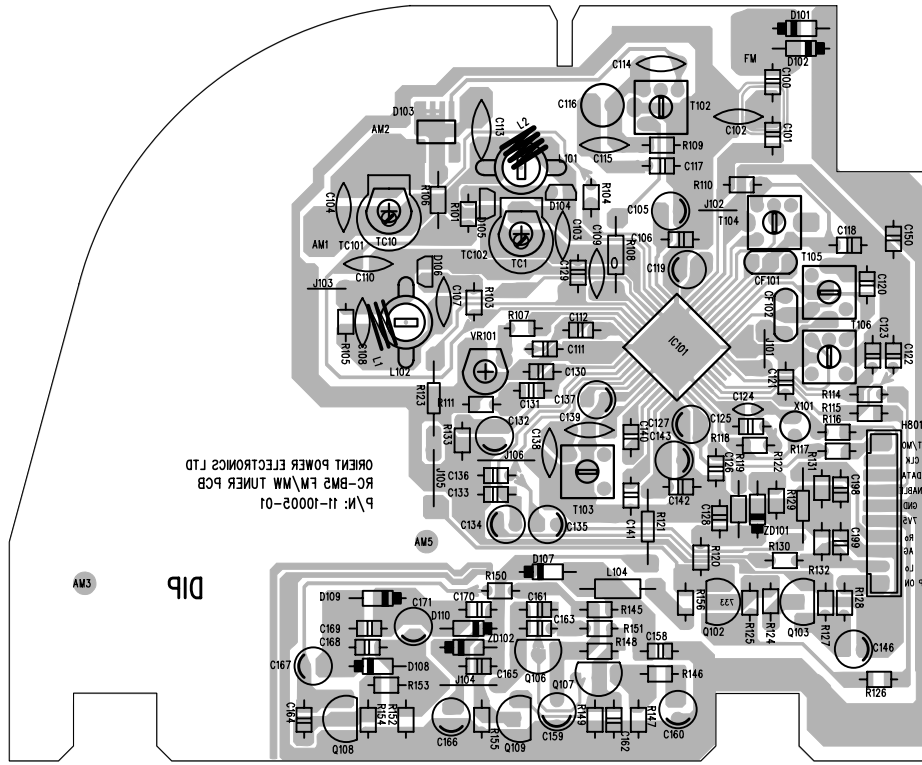
F

G

H

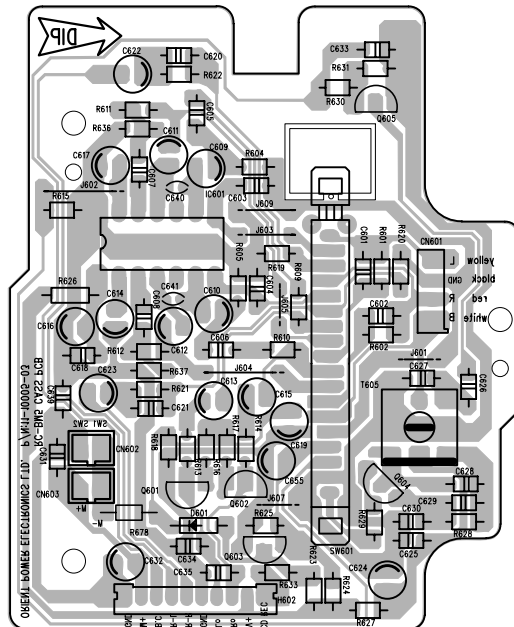
■ Tuner board

Reverse side



■ Cassette board

Reverse side

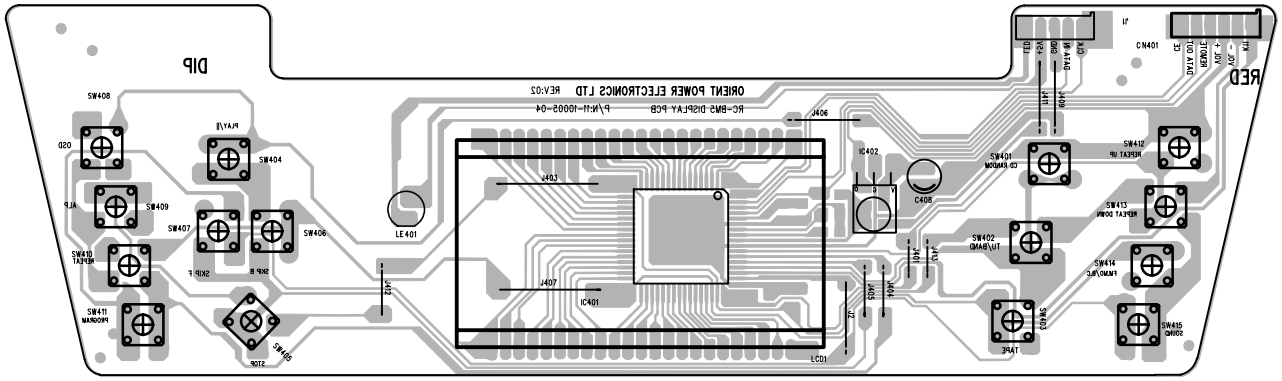


5
4
3
2
1

A B C

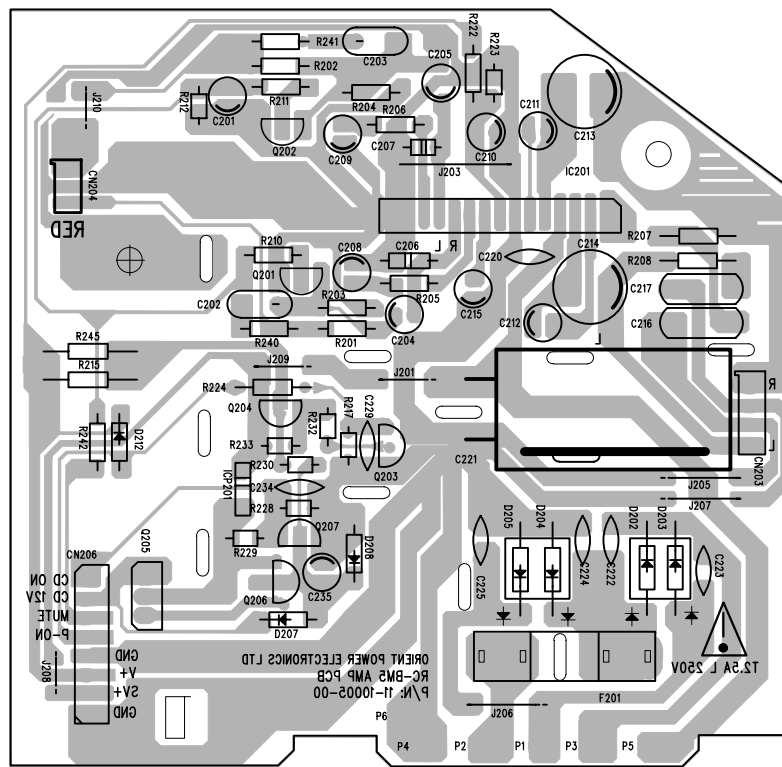
■ Display board

Reverse side



■ Power amplifier board

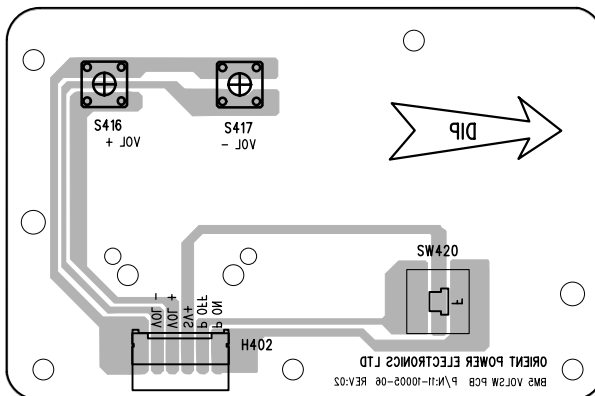
Reverse side



■ Volume switch board

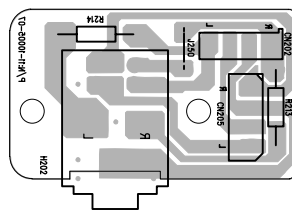
5
4
3
2
1

Reverse side



■ Phone jack board

Reverse side





VICTOR COMPANY OF JAPAN, LIMITED

AUDIO & COMMUNICATION BUSINESS DIVISION

PERSONAL & MOBILE NETWORK BUSINESS UNIT. 10-1,1Chome,Ohwatari-machi,maebashi-city,371-8543,Japan

JVC

SCHEMATIC DIAGRAMS

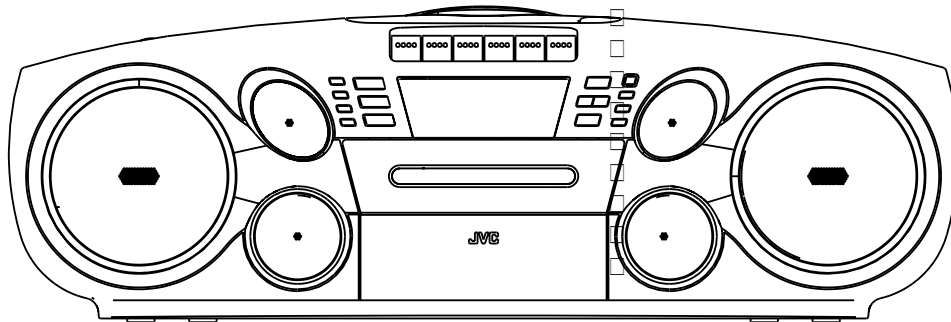
CD PORTABLE SYSTEM

RC-BM5

CD-ROM No.SML200210

Area suffix

J ----- U.S.A.
C ----- Canada



COMPACT
disc
DIGITAL AUDIO

Contents

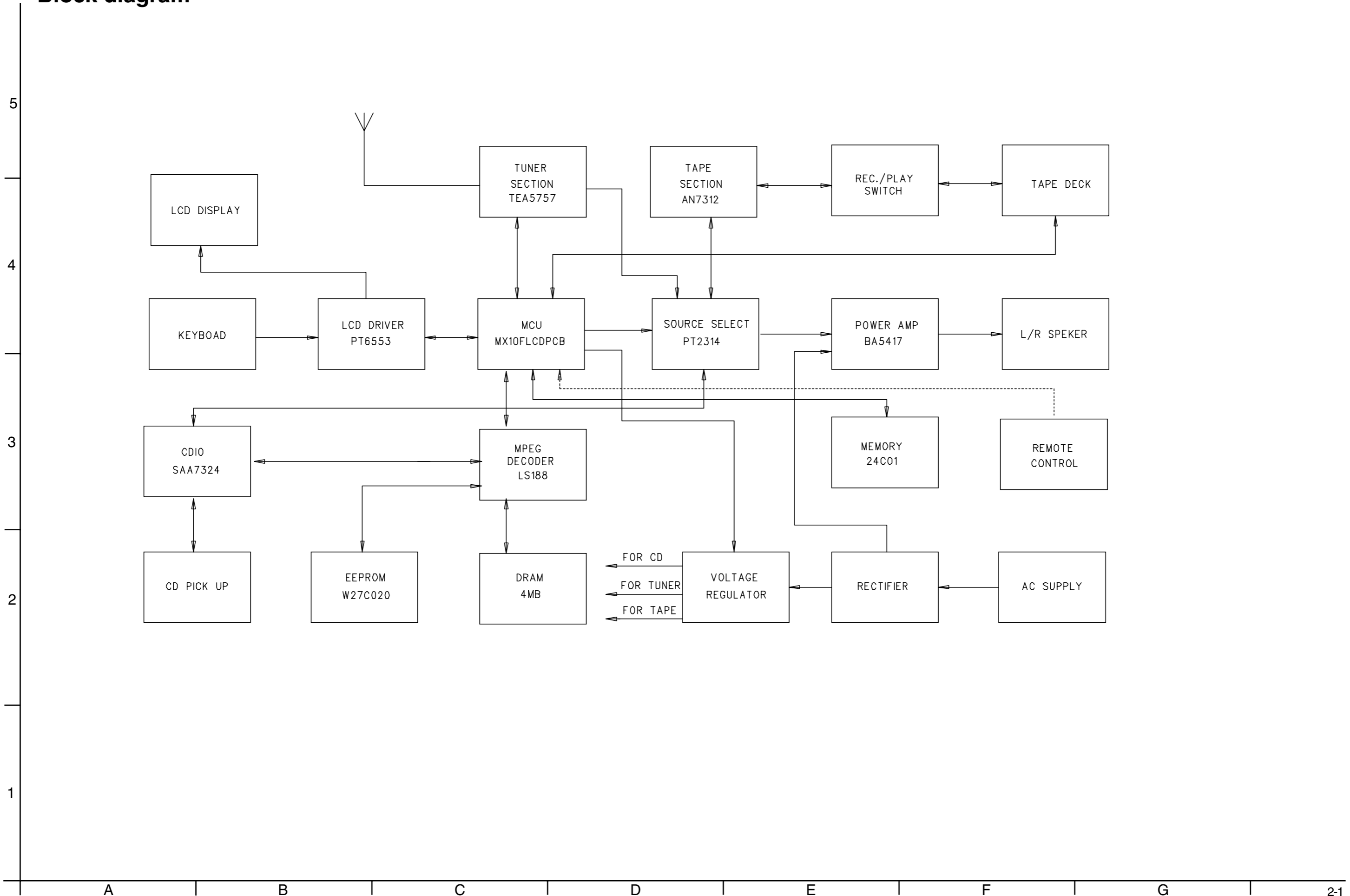
Block diagram	2-1
Standard schematic diagrams	2-2
Printed circuit boards	2-8 ~ 11

RC-BM5

In regard with component parts appearing on the silk-screen printed side (parts side) of the PWB diagrams, the parts that are printed over with black such as the resistor (■), diode (▬) and ICP (●) or identified by the "△" mark nearby are critical for safety.

(This regulation does not correspond to J and C version.)

Block diagram



Standard schematic diagrams

Main section

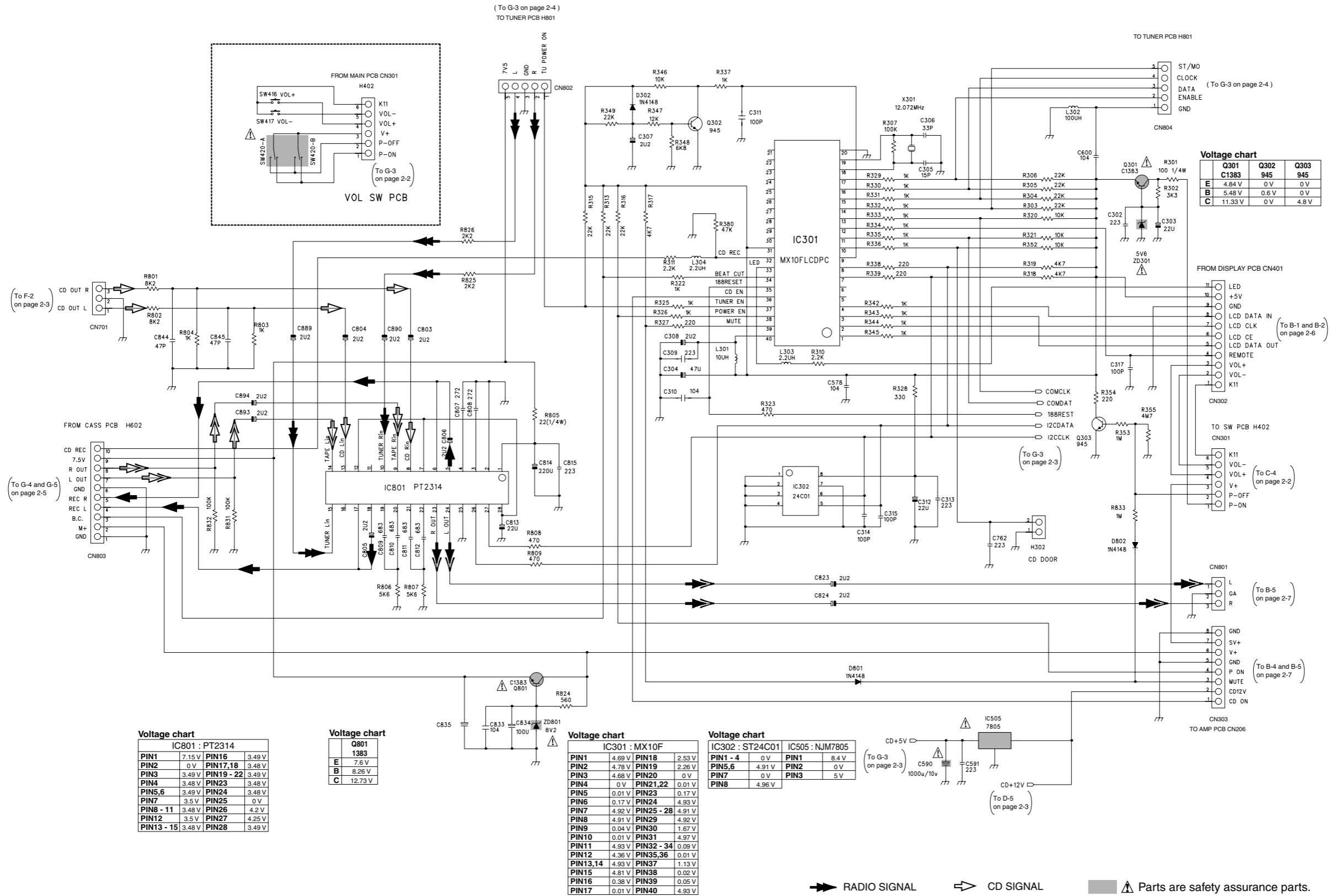
5

4

3

2

1



Voltage chart

	Q301 C1383	Q302 945	Q303 945
E	4.84 V	0 V	0 V
B	5.48 V	0.6 V	0 V
C	11.33 V	0 V	4.8 V

Voltage chart

IC801 : PT2314

PIN	V	PIN	V
PIN1	7.15 V	PIN16	3.49 V
PIN2	0 V	PIN17,18	3.48 V
PIN3	3.49 V	PIN19 - 22	3.49 V
PIN4	3.48 V	PIN23	3.48 V
PIN5,6	3.49 V	PIN24	3.48 V
PIN7	3.5 V	PIN25	0 V
PIN8 - 11	3.48 V	PIN26	4.2 V
PIN12	3.5 V	PIN27	4.25 V
PIN13 - 15	3.48 V	PIN28	3.49 V

Voltage chart

Q801
1383

	V
E	7.6 V
B	8.26 V
C	12.73 V

Voltage chart

IC301 : MX10F

PIN	V	PIN	V
PIN1	4.69 V	PIN18	2.53 V
PIN2	4.78 V	PIN19	2.26 V
PIN3	4.68 V	PIN20	0 V
PIN4	0 V	PIN21,22	0.01 V
PIN5	0.01 V	PIN23	0.17 V
PIN6	0.17 V	PIN24	4.93 V
PIN7	4.92 V	PIN25 - 28	4.91 V
PIN8	4.91 V	PIN29	4.92 V
PIN9	0.04 V	PIN30	1.67 V
PIN10	0.01 V	PIN31	4.97 V
PIN11	4.93 V	PIN32 - 34	0.09 V
PIN12	4.36 V	PIN35,36	0.01 V
PIN13,14	4.93 V	PIN37	1.13 V
PIN15	4.81 V	PIN38	0.02 V
PIN16	0.38 V	PIN39	0.05 V
PIN17	0.01 V	PIN40	4.93 V

Voltage chart

IC302 : ST24C01

PIN	V	PIN	V
PIN1 - 4	0 V	PIN1	8.4 V
PIN5,6	4.91 V	PIN2	0 V
PIN7	0 V	PIN3	5 V
PIN8	4.96 V		

Voltage chart

IC505 : NJM7805

PIN	V
PIN1	8.4 V
PIN2	0 V
PIN3	5 V

- ➡ RADIO SIGNAL
- ➡ CD SIGNAL
- ➡ TAPE PB SIGNAL
- ➡ MAIN SIGNAL
- ➡ TAPE REC SIGNAL

⚠ Parts are safety assurance parts. When replacing those parts make sure to use the specified one.

CD control section

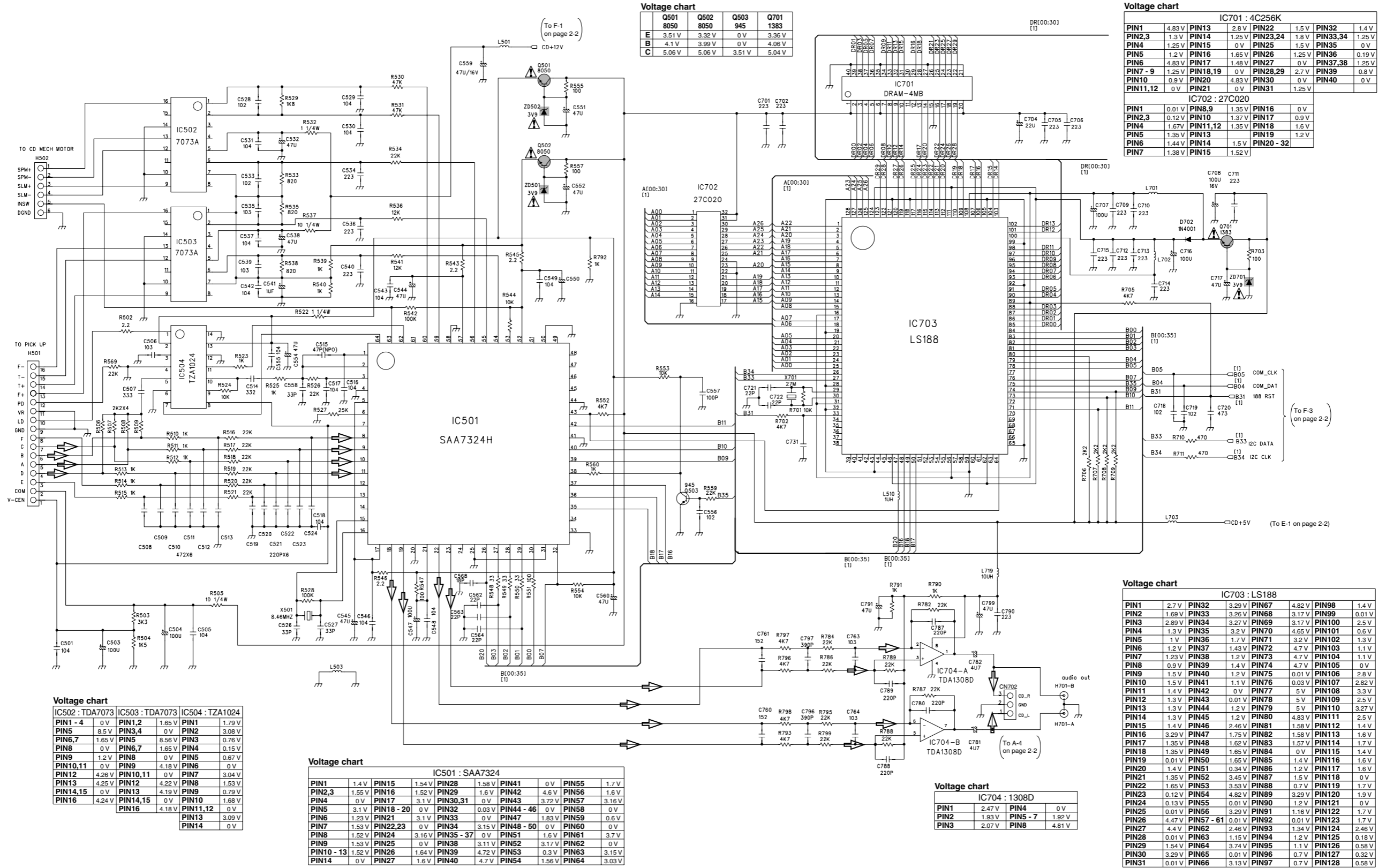
5

4

3

2

1



Voltage chart

	Q501 8050	Q502 8050	Q503 945	Q701 1383
E	3.51 V	3.32 V	0 V	3.36 V
B	4.1 V	3.99 V	0 V	4.06 V
C	5.06 V	5.06 V	3.51 V	5.04 V

Voltage chart

IC701 : 4C256K							
PIN1	4.83 V	PIN13	2.8 V	PIN22	1.5 V	PIN32	1.4 V
PIN2,3	1.3 V	PIN14	1.25 V	PIN23,24	1.8 V	PIN33,34	1.25 V
PIN4	1.25 V	PIN15	0 V	PIN25	1.5 V	PIN35	0 V
PIN5	1.2 V	PIN16	1.65 V	PIN26	1.25 V	PIN36	0.19 V
PIN6	4.83 V	PIN17	1.48 V	PIN27	0 V	PIN37,38	1.25 V
PIN7 - 9	1.25 V	PIN18,19	0 V	PIN28,29	2.7 V	PIN39	0.8 V
PIN10	0.9 V	PIN20	4.83 V	PIN30	0 V	PIN40	0 V
PIN11,12	0 V	PIN21	0 V	PIN31	1.25 V		

Voltage chart

IC702 : 27C020							
PIN1	0.01 V	PIN8,9	1.35 V	PIN16	0 V		
PIN2,3	0.12 V	PIN10	1.37 V	PIN17	0.9 V		
PIN4	1.67 V	PIN11,12	1.35 V	PIN18	1.6 V		
PIN5	1.35 V	PIN13	1.35 V	PIN19	1.2 V		
PIN6	1.44 V	PIN14	1.5 V	PIN20 - 32			
PIN7	1.38 V	PIN15	1.52 V				

Voltage chart

IC502 : TDA7073			IC503 : TDA7073			IC504 : TZA1024		
PIN1 - 4	0 V	PIN1,2	1.65 V	PIN1	1.79 V			
PIN5	8.5 V	PIN3,4	0 V	PIN2	3.08 V			
PIN6,7	1.65 V	PIN5	8.56 V	PIN3	0.76 V			
PIN8	0 V	PIN6,7	1.65 V	PIN4	0.15 V			
PIN9	1.2 V	PIN8	0 V	PIN5	0.67 V			
PIN10,11	0 V	PIN9	4.18 V	PIN6	0 V			
PIN12	4.26 V	PIN10,11	0 V	PIN7	3.04 V			
PIN13	4.25 V	PIN12	4.22 V	PIN8	1.53 V			
PIN14,15	0 V	PIN13	4.19 V	PIN9	0.79 V			
PIN16	4.24 V	PIN14,15	0 V	PIN10	1.68 V			
		PIN16	4.18 V	PIN11,12	0 V			
				PIN13	3.09 V			
				PIN14	0 V			

Voltage chart

IC501 : SAA7324											
PIN1	1.4 V	PIN15	1.54 V	PIN28	1.58 V	PIN41	0 V	PIN55	1.7 V		
PIN2,3	1.55 V	PIN16	1.52 V	PIN29	1.6 V	PIN42	4.6 V	PIN56	1.6 V		
PIN4	0 V	PIN17	3.1 V	PIN30,31	0 V	PIN43	3.72 V	PIN57	3.16 V		
PIN5	3.1 V	PIN18 - 20	0 V	PIN32	0.03 V	PIN44 - 46	0 V	PIN58	0 V		
PIN6	1.23 V	PIN21	3.1 V	PIN33	0 V	PIN47	1.83 V	PIN59	0.6 V		
PIN7	1.53 V	PIN22,23	0 V	PIN34	3.15 V	PIN48 - 50	0 V	PIN60	0 V		
PIN8	1.52 V	PIN24	3.16 V	PIN35 - 37	0 V	PIN51	1.6 V	PIN61	3.7 V		
PIN9	1.53 V	PIN25	0 V	PIN38	3.11 V	PIN52	3.17 V	PIN62	0 V		
PIN10 - 13	1.52 V	PIN26	1.64 V	PIN39	4.72 V	PIN53	0.3 V	PIN63	3.15 V		
PIN14	0 V	PIN27	1.6 V	PIN40	4.7 V	PIN54	1.56 V	PIN64	3.03 V		

Voltage chart

IC703 : LS188											
PIN1	2.7 V	PIN32	3.29 V	PIN67	4.82 V	PIN98	1.4 V				
PIN2	1.69 V	PIN33	3.26 V	PIN68	3.17 V	PIN99	0.01 V				
PIN3	2.89 V	PIN34	3.27 V	PIN69	3.17 V	PIN100	2.5 V				
PIN4	1.3 V	PIN35	3.2 V	PIN70	4.65 V	PIN101	0.6 V				
PIN5	1 V	PIN36	1.7 V	PIN71	3.2 V	PIN102	1.3 V				
PIN6	1.2 V	PIN37	1.43 V	PIN72	4.7 V	PIN103	1.1 V				
PIN7	1.23 V	PIN38	1.2 V	PIN73	4.7 V	PIN104	1.1 V				
PIN8	0.9 V	PIN39	1.4 V	PIN74	4.7 V	PIN105	0 V				
PIN9	1.5 V	PIN40	1.2 V	PIN75	0.01 V	PIN106	2.8 V				
PIN10	1.5 V	PIN41	1.1 V	PIN76	0.03 V	PIN107	2.82 V				
PIN11	1.4 V	PIN42	0 V	PIN77	5 V	PIN108	3.3 V				
PIN12	1.3 V	PIN43	0.01 V	PIN78	5 V	PIN109	2.5 V				
PIN13	1.3 V	PIN44	1.2 V	PIN79	5 V	PIN110	3.27 V				
PIN14	1.3 V	PIN45	1.2 V	PIN80	4.83 V	PIN111	2.5 V				
PIN15	1.4 V	PIN46	2.46 V	PIN81	1.58 V	PIN112	1.4 V				
PIN16	3.29 V	PIN47	1.75 V	PIN82	1.58 V	PIN113	1.6 V				
PIN17	1.35 V	PIN48	1.82 V	PIN83	1.57 V	PIN114	1.7 V				
PIN18	1.35 V	PIN49	1.85 V	PIN84	0 V	PIN115	1.4 V				
PIN19	1.4 V	PIN50	1.85 V	PIN85	1.4 V	PIN116	1.6 V				
PIN20	0.01 V	PIN51	0.34 V	PIN86	1.5 V	PIN117	1.6 V				
PIN21	1.35 V	PIN52	3.53 V	PIN87	1.5 V	PIN118	0 V				
PIN22	1.65 V	PIN53	3.53 V	PIN88	0.7 V	PIN119	1.7 V				
PIN23	0.12 V	PIN54	4.82 V	PIN89	3.29 V	PIN120	1.9 V				
PIN24	0.13 V	PIN55	0.01 V	PIN90	1.2 V	PIN121	0 V				
PIN25	0.01 V	PIN56	3.29 V	PIN91	1.16 V	PIN122	1.7 V				
PIN26	4.47 V	PIN57 - 61	0.01 V	PIN92	0.01 V	PIN123	1.7 V				
PIN27	4.4 V	PIN62	2.46 V	PIN93	1.34 V	PIN124	2.46 V				
PIN28	0.01 V	PIN63	1.15 V	PIN94	1.2 V	PIN125	0.18 V				
PIN29	1.54 V	PIN64	3.74 V	PIN95	1.1 V	PIN126	0.58 V				
PIN30	3.29 V	PIN65	0.01 V	PIN96	0.7 V	PIN127	0.32 V				
PIN31	0.01 V	PIN66	3.13 V	PIN97	0.7 V	PIN128	0.58 V				

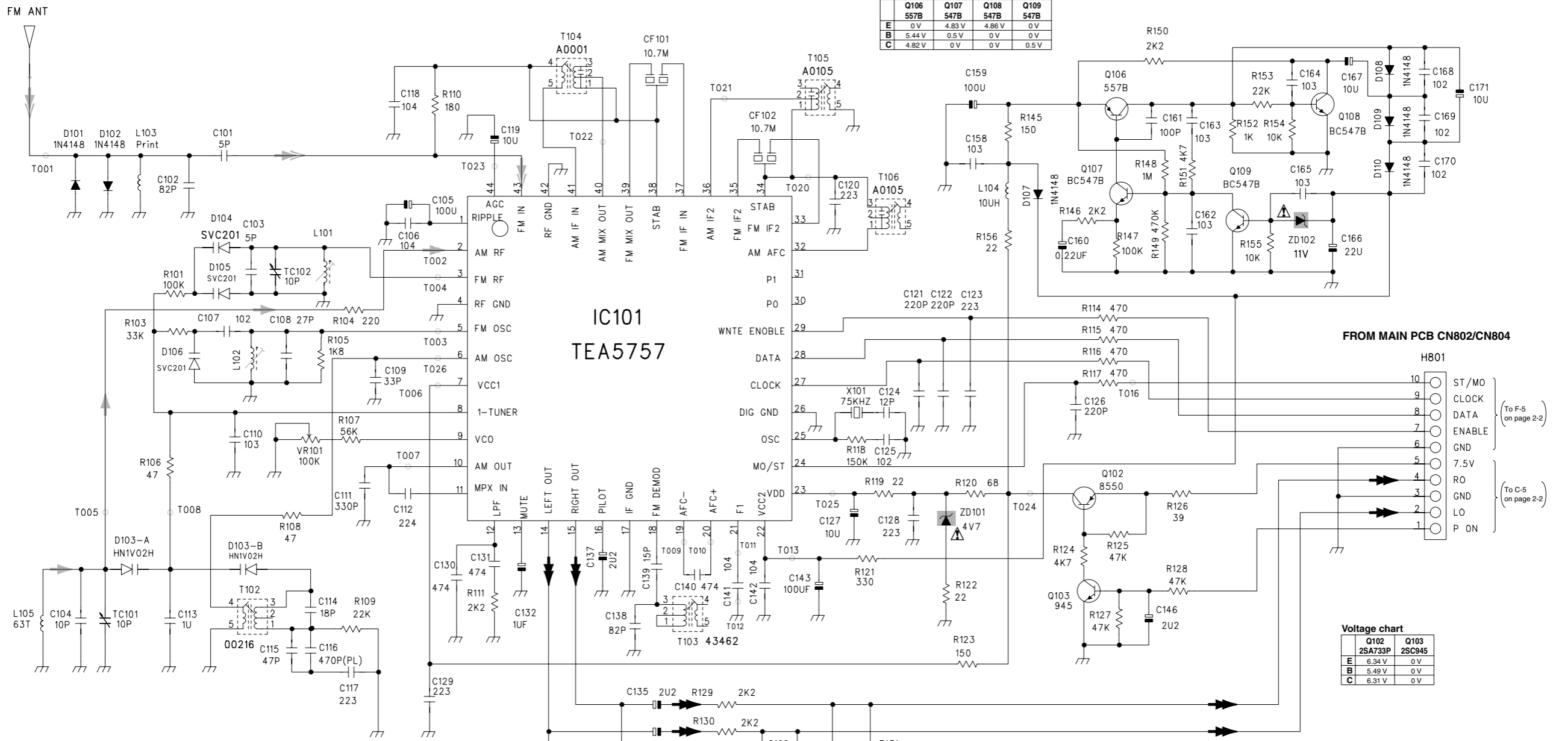
Voltage chart

IC704 : 1308D			
PIN1	2.47 V	PIN4	0 V
PIN2	1.93 V	PIN5 - 7	1.92 V
PIN3	2.07 V	PIN8	4.81 V

⇒ CD SIGNAL

⚠ Parts are safety assurance parts. When replacing those parts make sure to use the specified one.

Tuner section



Voltage chart

IC101 : TEA5757					
PIN1	2.05V	PIN13	0.71V	PIN22	12.2V
PIN2-6	0V	PIN14	0.6V	PIN23	4.82V
PIN7	3.52V	PIN15	0.64V	PIN24	0.15V
PIN8	4.15V	PIN16	0.9V	PIN25	1.34V
PIN9	0.97V	PIN17	0V	PIN26	0V
PIN10	0.64V	PIN18	1V	PIN27	4.79V
PIN11	1.21V	PIN19,20	1.11V	PIN28	0.24V
PIN12	0.78V	PIN21	1.75V	PIN29	0.23V
PIN30,31	0V	PIN32	1.37V	PIN33	0.69V
PIN39	0.99V	PIN40,41	1.27V	PIN42	0V
PIN43	0.75V	PIN44	0.21V	PIN34	1.37V
				PIN35	0.64V
				PIN36	1.37V
				PIN37	0.54V
				PIN38	1.27V

Voltage chart

	Q106 557B	Q107 547B	Q108 547B	Q109 547B
E	0V	4.83V	4.86V	0V
B	5.44V	0.5V	0V	0V
C	4.82V	0V	0V	0.5V

Voltage chart

	Q102 2SA733P	Q103 2SC945
E	6.34V	0V
B	5.49V	0V
C	6.31V	0V

AM SIGNAL
 FM SIGNAL
 RADIO SIGNAL
 Parts are safety assurance parts. When replacing those parts make sure to use the specified one.

5

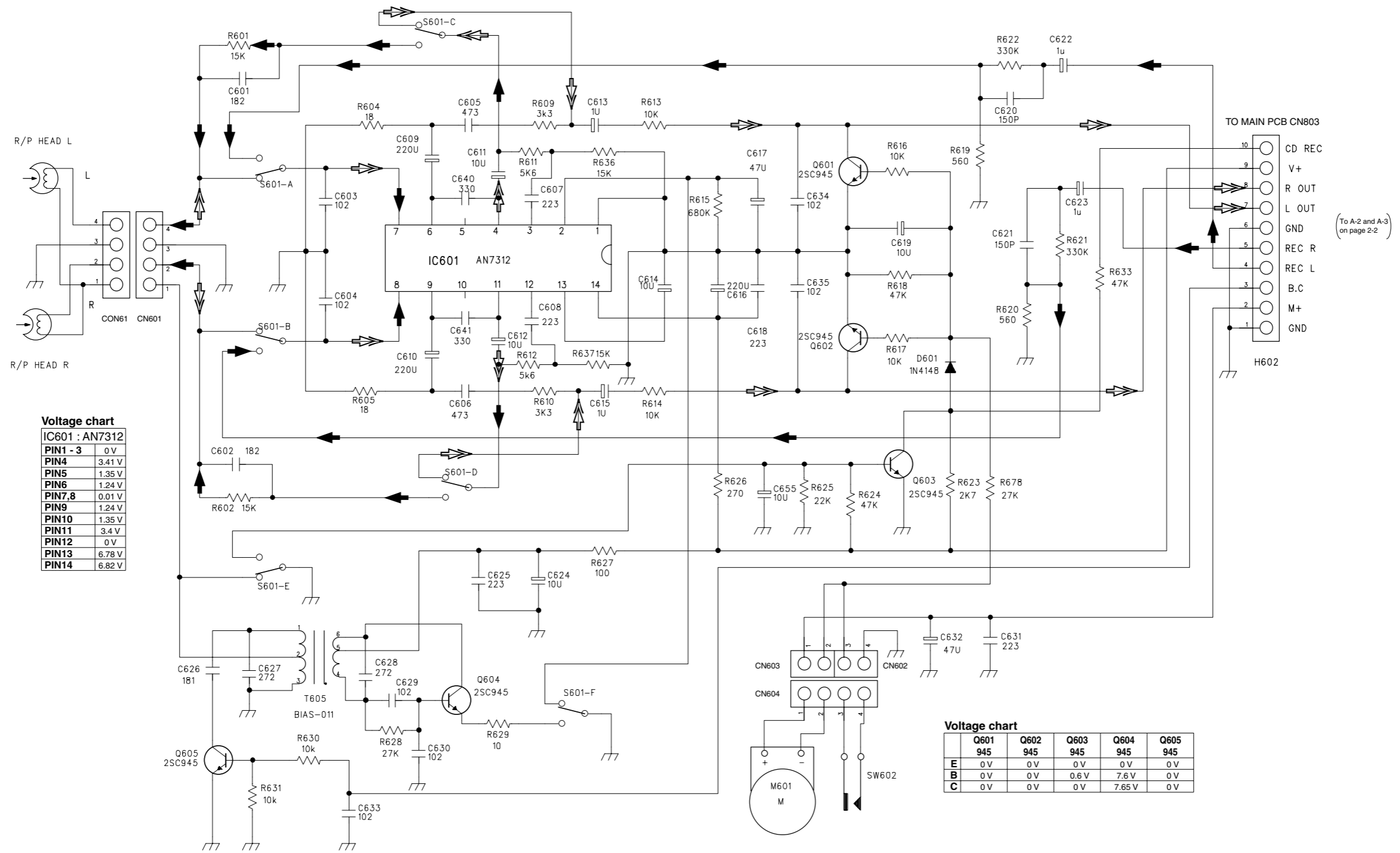
4

3

2

1

■ Cassette section



Voltage chart
IC601 : AN7312

PIN1 - 3	0V
PIN4	3.41 V
PIN5	1.35 V
PIN6	1.24 V
PIN7,8	0.01 V
PIN9	1.24 V
PIN10	1.35 V
PIN11	3.4 V
PIN12	0V
PIN13	6.78 V
PIN14	6.82 V

Voltage chart

	Q601 945	Q602 945	Q603 945	Q604 945	Q605 945
E	0V	0V	0V	0V	0V
B	0V	0V	0.6V	7.6V	0V
C	0V	0V	0V	7.65V	0V

⇨ TAPE PB SIGNAL
 ⇨ TAPE REC SIGNAL

5
4
3
2
1

A B C D E F G 2-5

Display section

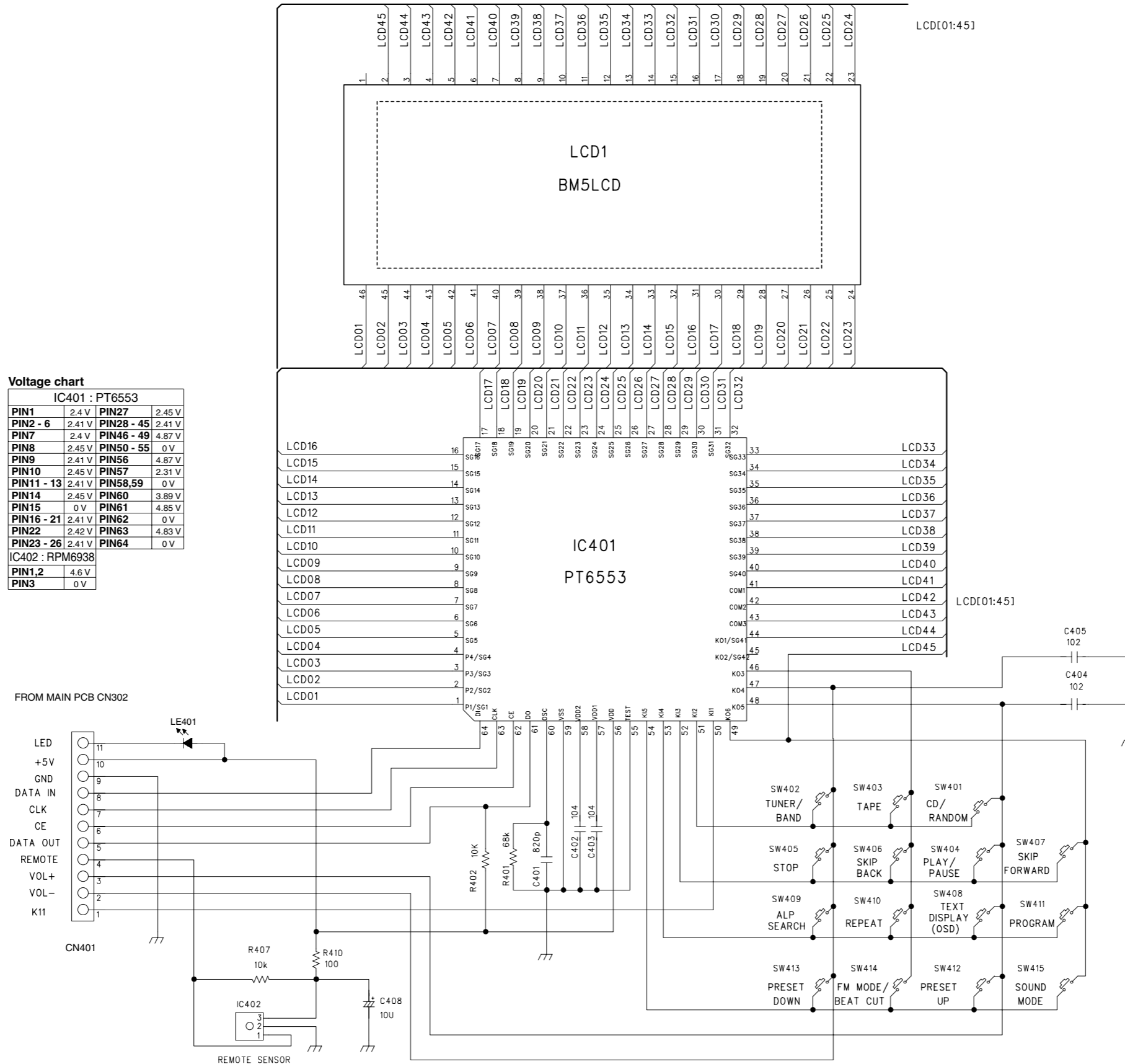
5
4
3
2
1

A B C 2-6 D E F G H

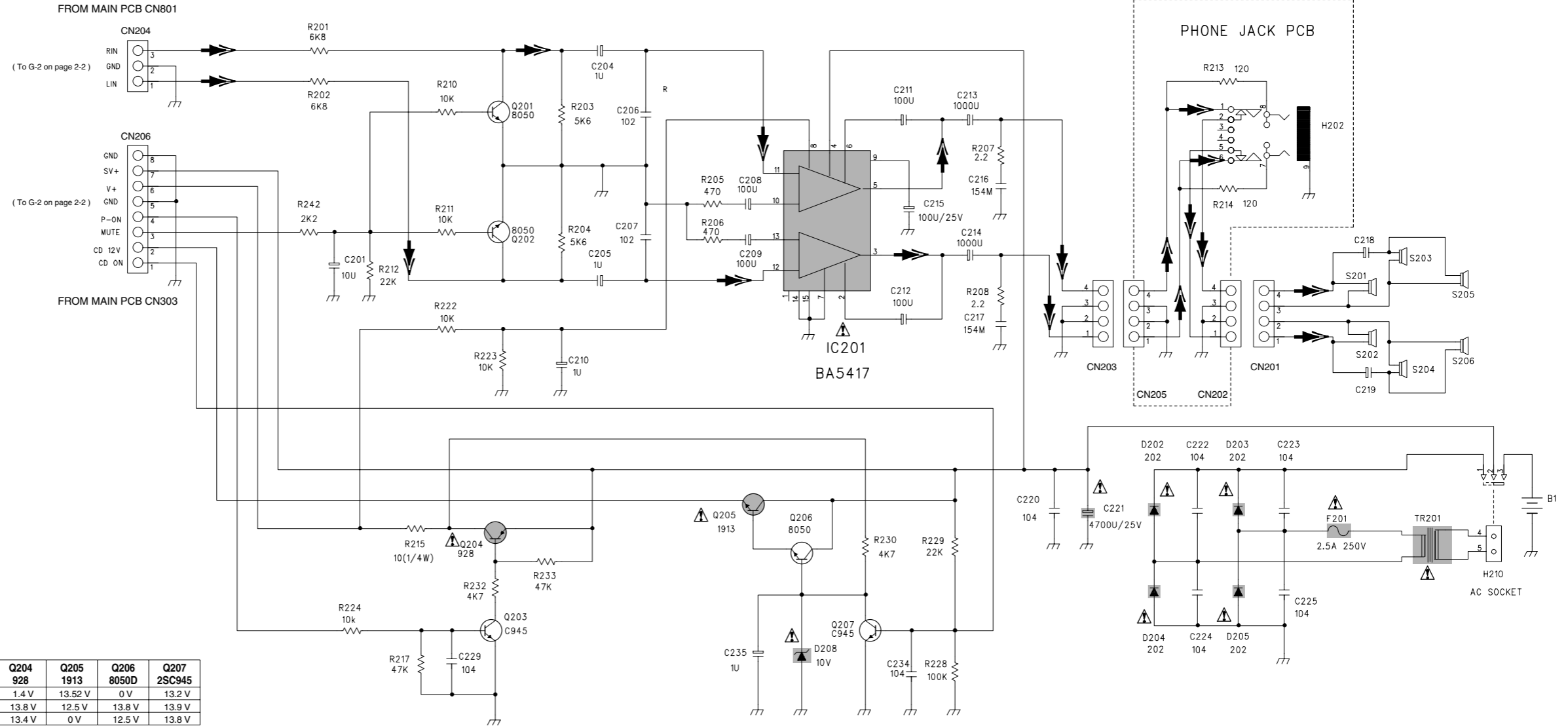
Voltage chart

IC401 : PT6553			
PIN1	2.4 V	PIN27	2.45 V
PIN2 - 6	2.41 V	PIN28 - 45	2.41 V
PIN7	2.4 V	PIN46 - 49	4.87 V
PIN8	2.45 V	PIN50 - 55	0 V
PIN9	2.41 V	PIN56	4.87 V
PIN10	2.45 V	PIN57	2.31 V
PIN11 - 13	2.41 V	PIN58,59	0 V
PIN14	2.45 V	PIN60	3.89 V
PIN15	0 V	PIN61	4.85 V
PIN16 - 21	2.41 V	PIN62	0 V
PIN22	2.42 V	PIN63	4.83 V
PIN23 - 26	2.41 V	PIN64	0 V
IC402 : RPM6938			
PIN1,2	4.6 V		
PIN3	0 V		

(To G-3 and G-4 on page 2-2)



■ Power amplifier and power supply section



Voltage chart

IC201 : BA5417	
PIN1 - 3	0V
PIN4	14.75V
PIN5	4.77V
PIN6	14.18V
PIN7,8	0V
PIN9	7.99V
PIN10 - 15	0V

Voltage chart

	Q201 8050D	Q202 8050D	Q203 2SC945	Q204 928	Q205 1913	Q206 8050D	Q207 2SC945
E	0V	0V	0.6V	1.4V	13.52V	0V	13.2V
B	0V	0V	0V	13.8V	12.5V	13.8V	13.9V
C	0V	0V	2.87V	13.4V	0V	12.5V	13.8V

WARING

AFTER COMPLETING THE SERVICING OF THIS PRODUCT AND BEFORE RETURNING IT TO YOUR CUSTOMER MEASURE THE RESISTANCE BETWEEN BOHT PRONGS OF THE AC PLUG AND ALL EXPOSED METALPARTS TO BE SURE IT EXCEEDS 2.2 MEGAOHMS (POWER SWITCH IF ANY SHORLD BE IN ITS ON POSITION). IF THE RESISTANCE MEASURED IS LEES THAN 2.2 MEGAOHMS, THE UNIT SHOULD NOT BE RETURNED TO THE CUSTOMER UNTIL THE CAUSE FOR THE REDUCED POWER LINE.TO EXPOSED METAL PARTS RESISTANCE HAS BEEN CORRECTED AND THE UNIT PASSED THE ABOVE TEST.

⚠ THIS MARK INDICATES THAT THE ADJACENT COMPONENT IS CONSIDERED CRITICAL WHEN REPLACING TO THE RISK OF FIRE AND ELECTRICAL SHOCK ASSOCIATED WITH THIS PRODUCT. WITH RESPECT ANY OF THESE COMPONENTS, USE ONLY PARTS SUPPLIED BY MANUFACTURES WHOSE PART NUMBERS ARE INDICATED ON THE PARTS LIST ATTACHED.

SERVICING INSTRUCTIONS

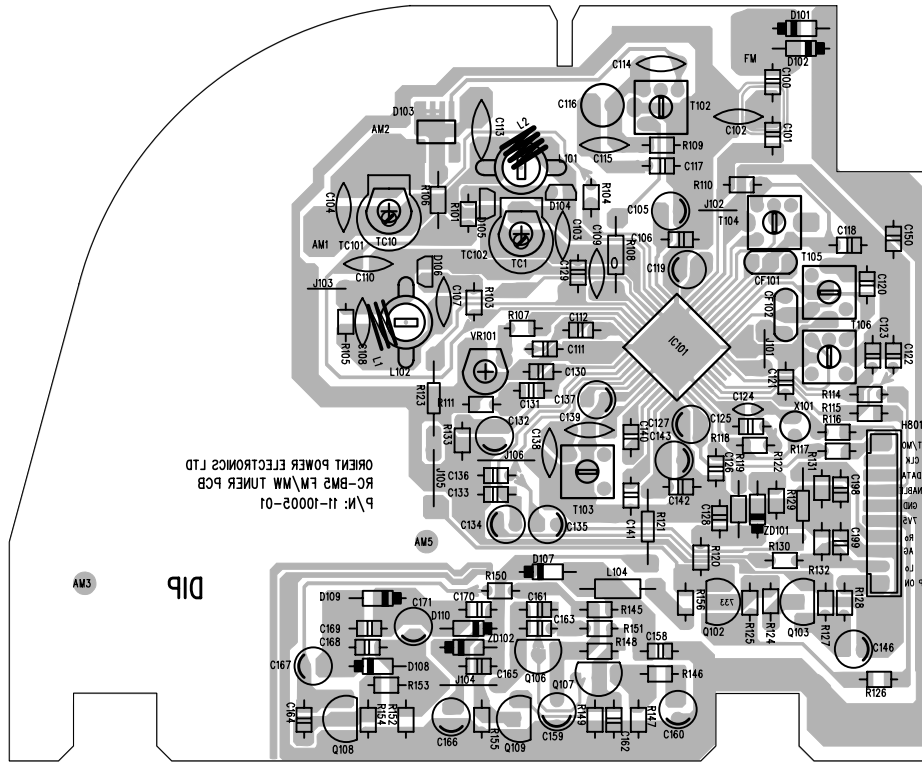
1. DISCONNECT POWER CORD BEFORE SERVICING.
2. REPLACE CRITICAL COMPONENTS ⚠ ONLY WITH FACTORY PARTS OR RECOMMED EQUIVALENTS.
3. FOR AC LINE POWERED UNITS - BEFORE RETURNING REPAIRED UNIT TO USER, USE AN OHMMETER TO MEASURE FROM BOTH AC PLUG BLADES TO ALL EXPOSED METALLIC PARTS. THE RESISTANCE SHOULD BE MORE THAN 100,000 OHMS.

➡ MAIN SIGNAL

⚠ Parts are safety assurance parts. When replacing those parts make sure to use the specified one.

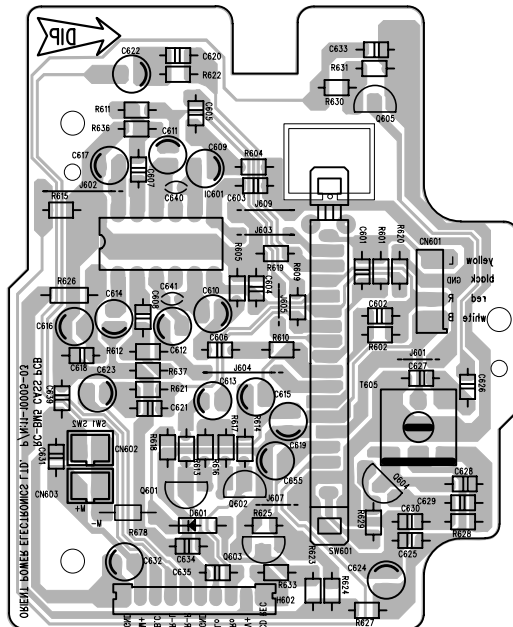
■ Tuner board

Reverse side



■ Cassette board

Reverse side



5

4

3

2

1

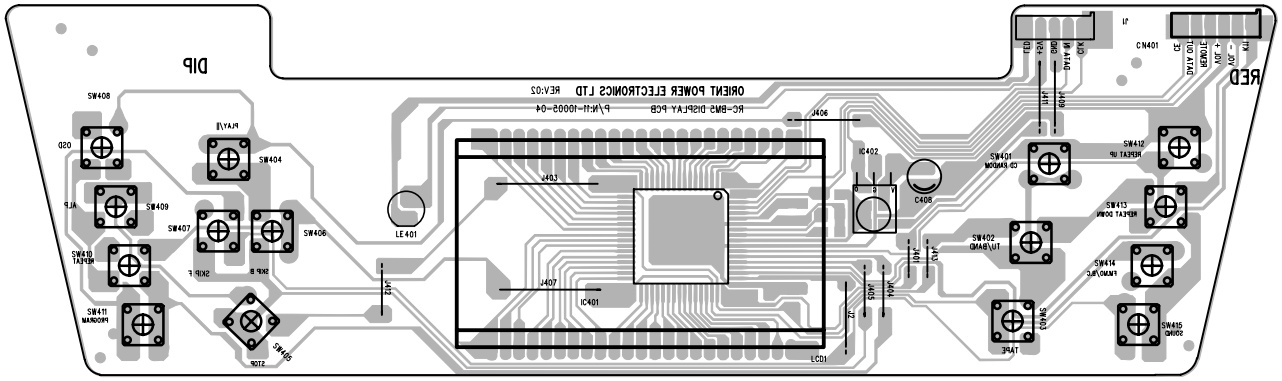
A

B

C

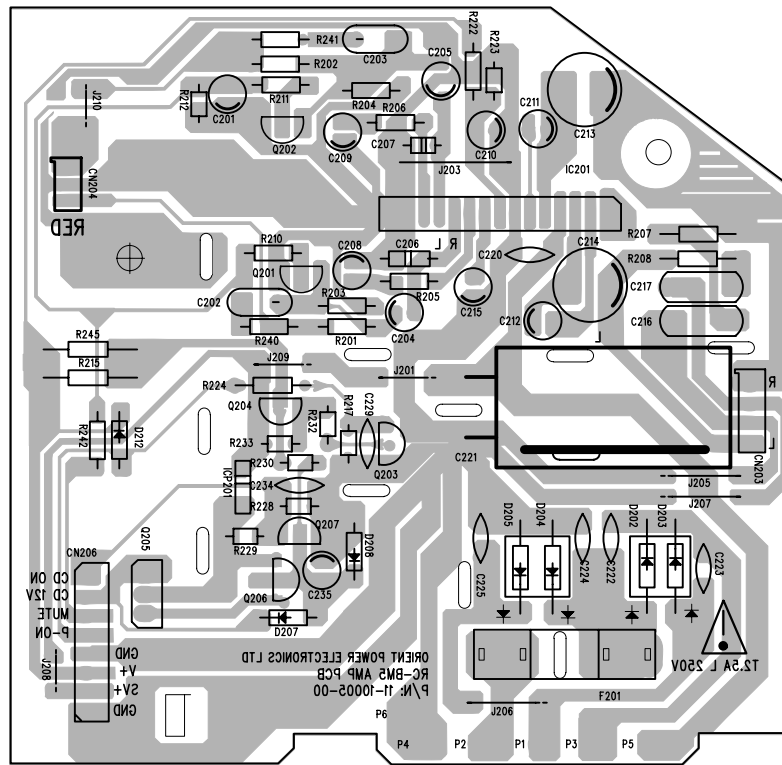
■ Display board

Reverse side



■ Power amplifier board

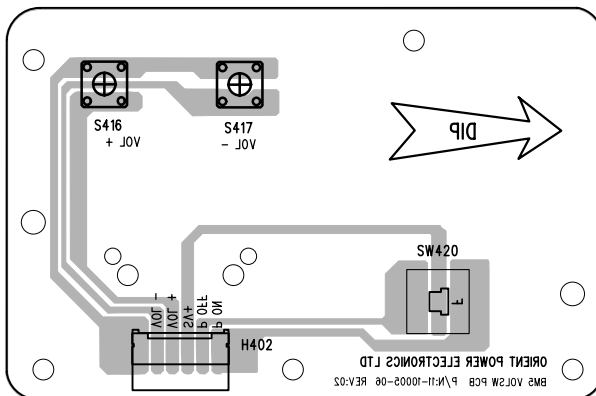
Reverse side



■ Volume switch board

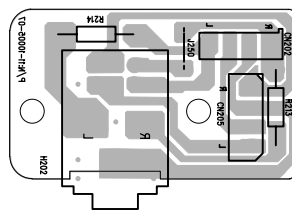
5
4
3
2
1

Reverse side



■ Phone jack board

Reverse side





VICTOR COMPANY OF JAPAN, LIMITED

AUDIO & COMMUNICATION BUSINESS DIVISION

PERSONAL & MOBILE NETWORK BUSINESS UNIT. 10-1,1Chome,Ohwatari-machi,maebashi-city,371-8543,Japan

PARTS LIST

[RC-BM5]

* All printed circuit boards and its assemblies are not available as service parts.

Area suffix

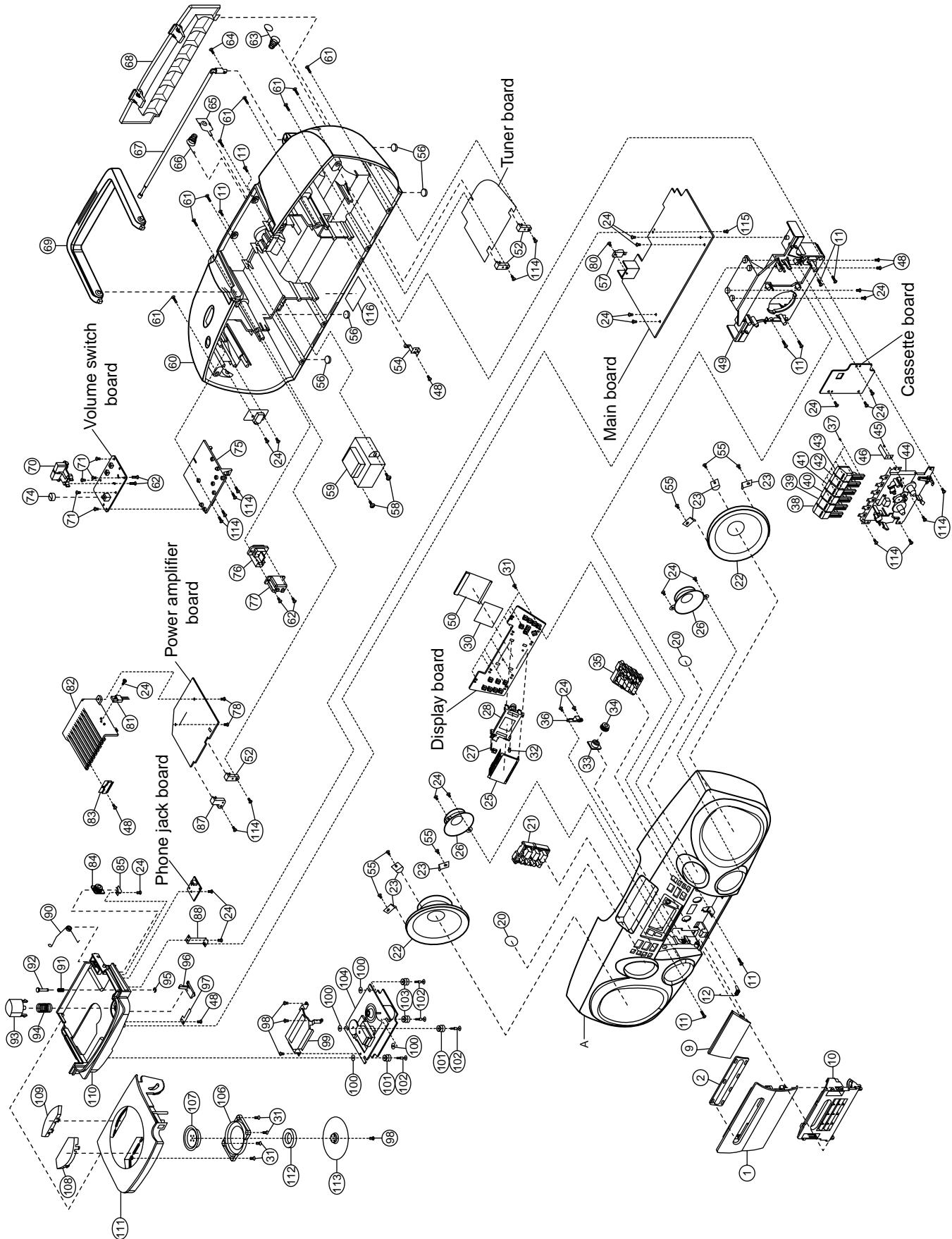
J ----- U.S.A.
C ----- Canada

- Contents -

Exploded view of general assembly and parts list (Block No.M1)	3- 2
Electrical parts list (Block No.01~05).....	3- 5
Packing materials and accessories parts list (Block No.M3,M5).....	3-12

Exploded view of general assembly and parts list

Block No. M 1 M M



Parts list (General assembly)

Block No. M1MM

△	Item	Parts number	Parts name	Q'ty	Description	Area
	A	OWBM5-FC-ASSY	FRONT ASSY	1		C
		OWBM5-FJ-ASSY	FRONT ASSY	1		J
	1	OW66-05000-01	CASS DOOR	1		
	2	OW43-05000-03	CASS DOOR LENS	1		
	9	OW43-05000-00	DISPLAY LENS	1		
	10	OW48-05000-02	CASS DOOR BKT	1		
	11	OW40-13012-01	SCREW	8	3X12 BH/ST	
	12	OW36-05000-00	SPRING	1	CASS DOOR	
	20	OW14-00020-02	BUZZER	2	FT-20FE-7.0A1	
	21	OW52-05000-00	FUNCTION KNOB A	1		
	22	OW14-04032-40	SPEAKER	2	YD103-39B	
	23	OW41-02322-02	CLIP	6	SPEAKER CLIP	
	24	OW40-13008-01	SCREW	21	3X8 WH/ST	
	25	OW91-05000-00	LCD DISPLAY	1		
	26	OW14-02080-12	SPEAKER	2	2, 8OHM 1W	
	27	OW02-66938-00	SENSOR	1	RPM6938-V4	
	28	OW48-05000-03	LCD BKT	1		
	30	OW68-05000-02	PVC PLATE	1		
	31	OW40-12608-02	SCREW	12	2.6X8 KH/ST H4	
	32	OW02-30022-02G	LED	1	LT0311G-22 RED	
	33	OW63-00105-01	GEAR HOLDER	1	RCD105	
	34	OW63-00105-00	GEAR	1	RCD105	
	35	OW52-05000-01	FUNCTION KNOB B	1		
	36	OW39-05000-00	SUPPORT PLATE	1	CASS GEAR	
	37	OW40-02004-51	SCREW	6	M2X4 BH/MS	
	38	OW53-05000-00	CASSETTE KNOB	1	PASUE	
	39	OW53-05000-01	CASSETTE KNOB	1	STOP	
	40	OW53-05000-03	CASSETTE KNOB	1	SKIP -	
	41	OW53-05000-02	CASSETTE KNOB	1	SKIP +	
	42	OW53-05000-04	CASSETTE KNOB	1	PLAY	
	43	OW53-05000-05	CASSETTE KNOB	1	RECORD	
	44	OW94-10105-00	CASSETTE MECHA	1	CS-21V-105 12V 6PA	
	45	OW40-02025-50	SCREW	1	M2X2.5 PH/MS	
	46	OW74-05000-01	SPRING PLATE	1	REC.	
	48	OW40-13006-01	SCREW	5	3X6 BH/ST	
	49	OW48-05000-00	CASS MECHA BKT	1		
	50	OW68-05000-01	SHIELDING PAPER	1		
	52	OW48-05000-05	PCB HOLDER B	3		
	54	OW39-05000-05	ANT CONTACT PLATE	1		
	55	OW40-13010-03	SCREW	6	3X10 WH/ST	
	56	OW81-03310-00	RUBBER FOOT	4	D12X3.2MM W/T	
	57	OW03-07805-02	IC	1	NJM7805FA JRC	
	58	OW40-13012-03	SCREW	2	3X12 WH/ST	
△	59	OW15-05000-00	POWER TRANS	1	E157 T05910A UL	
	60	OW61-05000-00	REAR CABINET	1		J
		OW61-05000-02	REAR CABINET	1		C
	61	OW40-13016-01	SCREW	8	3X16 BH/ST	
	62	OW40-12612-01	SCREW	4	2.6X12 BH/ST	

■ Parts list (General assembly)

Block No. M1MM

△	Item	Parts number	Parts name	Q'ty	Description	Area
	63	OW74-05000-02	BATTERY	1	SPRING +,-	
	64	OW40-03014-00	SCREW	1	M3X14 PH/MS	
	65	OW74-05000-00	BATTERY	1	PLATE +	
	66	OW36-05000-01	BATTERY	1	SPRING -	
	67	OW23-01112-00	ROD ANTENNA	1	3 SECTION	
	68	OW58-05000-00	BATTERY DOOR	1		
	69	OW57-02322-05	HANDLE	1		
	70	OW52-03316-50	VOLUME KNOB	1		
	71	OW40-12608-01	SCREW	5	2.6X8 BH/ST	
	74	OW52-03316-49	POWER KNOB	1		
	75	OW48-03316-00	CONTROL BKT L	1		
	76	OW12-21235-15W	JACK	1	ST212-SW22-D01	
	77	OW48-05639-04	AC SOCKET COVER	1		
	78	OW40-03008-51	SCREW	2	M3X8 BH/MS	
	80	OW40-03008-81	SCREW	1	M3X8 BH/MS BLK	
	81	OW01-01913-18	TRANSISTOR	1	2SD1913R/S	
	82	OW39-05000-01	HEAT SINK	1		
	83	OW03-05417-00	IC	1	BA5417	
	84	OW63-00303-01	DAMPER GEAR	1	B40GG EP303	
	85	OW39-00155-13	HOLDER	1	DAMPING GEAR	
	87	OW48-05000-04	PCB HOLDER A	1		
	88	OW39-05000-02	PCB SUPPORT BKT	1		
	90	OW36-05000-05	CD DOOR SPRING	1		
	91	OW36-09031-01H	OPEN SHAFT SPRING	1	CD DOOR HUA1	
	92	OW55-02322-00	CD SHAFT	1	RKD2322/3316	
	93	OW52-05000-02	CD OPEN KNOB	1		
	94	OW36-05000-06	SPRING	1	OPEN KEY SPRING	
	95	OW35-00003-00	E RING	1	M3	
	96	OW49-02322-00	HANGER	1	RKD2322/3316	
	97	OW39-03316-01	SPLING PLATE	1	CD KNOB THK=0.3	
	98	OW40-02045-90	SCREW	4	D2X4.5,10528550	
	99	OW49-09019-10	PLASTIC COVER	1	OP TOOLING	
	100	OW35-07930-01	METAL WASHER	4	9X2.2X0.5	
	101	OW81-09019-02	RUBBER	2	20403270 ORG 50	
	102	OW38-09019-01	PULLEY SCREW	4	20366320	
	103	OW81-09019-03	RUBBER	2	20403310 PINK 40	
	104	OW98-00028-03	CD PICK UP	1	TCP11TK4	
	106	OW48-05000-06	CD CLAMPER BKT	1		
	107	OW39-09019-01	METAL COVER	1	10434790	
	108	OW43-05000-01	CD DOOR LENS	1	FRONT	
	109	OW43-05000-02	CD DOOR LENS	1	REAR	
	110	OW48-02322-08	CD TRAY	1		
	111	OW66-05000-00	CD DOOR	1		
	112	OW97-09019-00	MAGNET	1	20495830 OP192	
	113	OW55-09019-01B	PLASTIC COVER	1	W/O FELT	
	114	OW40-13010-01	SCREW	12	3X10 BH/ST	
	115	OW40-03006-01	SCREW	1	M3X6 BH/MS	
	116	OW87-05000-07	RATING LABEL	1		C
		OW87-05000-08	RATING LABEL	1		J

■ Electrical parts list (Main board)

Block No. 01

△	Item	Parts number	Parts name	Remarks	Area	△	Item	Parts number	Parts name	Remarks	Area
	C302	OW05-03223-06T	C CAPACITOR	0.022MF K223			C552	OW06-16476-00	E CAPACITOR	47MF 16V	
	C303	OW06-16226-00	E CAPACITOR	22MF 16V			C554	OW06-16476-00	E CAPACITOR	47MF 16V	
	C304	OW06-16476-00	E CAPACITOR	47MF 16V			C555	OW05-03104-06T	C CAPACITOR	0.1MF Y500 Z104 500A	
	C305	OW05-03150-03T	CHIP CAPACITOR	15PF N500 J105			C556	OW05-03102-06T	C CAPACITOR	1000PF K102	
	C306	OW05-03330-03T	CHIP CAPACITOR	33PF N500 J330			C557	OW05-03101-06T	C CAPACITOR	100PF N101J 500A	
	C307	OW06-50225-00	E CAPACITOR	2.2MF 50V			C558	OW05-03330-03T	CHIP CAPACITOR	33PF N500 J330	
	C308	OW06-50225-00	E CAPACITOR	2.2MF 50V			C559	OW06-16476-00	E CAPACITOR	47MF 16V	
	C309	OW05-03223-06T	C CAPACITOR	0.022MF K223			C560	OW06-16476-00	E CAPACITOR	47MF 16V	
	C310	OW05-03104-06T	C CAPACITOR	0.1MF Y500 Z104 500A			C562	OW05-03220-06T	C CAPACITOR	22P N220J 500A	
	C311	OW05-03101-06T	C CAPACITOR	100PF N101J 500A			C563	OW05-03220-06T	C CAPACITOR	22P N220J 500A	
	C312	OW06-16226-00	E CAPACITOR	22MF 16V			C564	OW05-07220-05A	C CAPACITOR	22PF-SL50V 5%	
	C313	OW05-03223-06T	C CAPACITOR	0.022MF K223			C565	OW05-03040-06T	C CAPACITOR	4PF N500 J040 500A	
	C314	OW05-03101-06T	C CAPACITOR	100PF N101J 500A			C568	OW05-03180-06T	C CAPACITOR	18PF N180J 500A	
	C315	OW05-03101-06T	C CAPACITOR	100PF N101J 500A			C578	OW05-03104-06T	C CAPACITOR	0.1MF Y500 Z104 500A	
	C317	OW05-03101-06T	C CAPACITOR	100PF N101J 500A		△	C590	OW06-10108-00	E CAPACITOR	1000MF 10V	
	C501	OW05-03104-06T	C CAPACITOR	0.1MF Y500 Z104 500A			C591	OW05-03104-06T	C CAPACITOR	0.1MF Y500 Z104 500A	
	C503	OW06-16107-00	E CAPACITOR	100MF 16V			C600	OW05-03104-06T	C CAPACITOR	0.1MF Y500 Z104 500A	
	C504	OW06-16107-00	E CAPACITOR	100MF 16V			C701	OW05-03223-06T	C CAPACITOR	0.022MF K223	
	C505	OW05-03104-06T	C CAPACITOR	0.1MF Y500 Z104 500A			C702	OW05-03223-06T	C CAPACITOR	0.022MF K223	
	C506	OW05-03103-06T	C CAPACITOR	0.01MF K103			C704	OW06-16226-00	E CAPACITOR	22MF 16V	
	C507	OW05-03333-06T	C CAPACITOR	0.033MF K333			C705	OW05-03223-06T	C CAPACITOR	0.022MF K223	
	C508	OW05-03472-06T	C CAPACITOR	4700PF K472			C706	OW05-03223-06T	C CAPACITOR	0.022MF K223	
	C509	OW05-03472-06T	C CAPACITOR	4700PF K472			C707	OW06-16107-00	E CAPACITOR	100MF 16V	
	C510	OW05-03472-06T	C CAPACITOR	4700PF K472			C708	OW06-16107-00	E CAPACITOR	100MF 16V	
	C511	OW05-03472-06T	C CAPACITOR	4700PF K472			C709	OW05-03223-06T	C CAPACITOR	0.022MF K223	
	C512	OW05-03472-06T	C CAPACITOR	4700PF K472			C710	OW05-03223-06T	C CAPACITOR	0.022MF K223	
	C513	OW05-03472-06T	C CAPACITOR	4700PF K472			C711	OW05-03223-06T	C CAPACITOR	0.022MF K223	
	C514	OW05-03332-06T	CHIP CAPACITOR	3300PF K332			C712	OW05-03223-06T	C CAPACITOR	0.022MF K223	
	C515	OW05-03470-03T	C CAPACITOR	47PF N500 J470			C713	OW05-03223-06T	C CAPACITOR	0.022MF K223	
	C516	OW05-03104-06T	C CAPACITOR	0.1MF Y500 Z104 500A			C714	OW05-03223-06T	C CAPACITOR	0.022MF K223	
	C517	OW05-03104-06T	C CAPACITOR	0.1MF Y500 Z104 500A			C715	OW05-03223-06T	C CAPACITOR	0.022MF K223	
	C518	OW05-03104-06T	C CAPACITOR	0.1MF Y500 Z104 500A			C716	OW06-16107-00	E CAPACITOR	100MF 16V	
	C519	OW05-03221-03T	CHIP CAPACITOR	220PF N500 J221			C717	OW06-16476-00	E CAPACITOR	47MF 16V	
	C520	OW05-03221-03T	CHIP CAPACITOR	220PF N500 J221			C718	OW05-03102-06T	C CAPACITOR	1000PF K102	
	C521	OW05-03221-03T	CHIP CAPACITOR	220PF N500 J221			C719	OW05-03102-06T	C CAPACITOR	1000PF K102	
	C522	OW05-03221-03T	CHIP CAPACITOR	220PF N500 J221			C720	OW05-03473-06T	C CAPACITOR	0.047MF K473	
	C523	OW05-03221-03T	CHIP CAPACITOR	220PF N500 J221			C721	OW05-03220-06T	C CAPACITOR	22P N220J 500A	
	C524	OW05-03221-03T	CHIP CAPACITOR	220PF N500 J221			C722	OW05-03220-06T	C CAPACITOR	22P N220J 500A	
	C526	OW05-03330-03T	CHIP CAPACITOR	33PF N500 J330			C760	OW05-03152-06T	C CAPACITOR	1500PF K152	
	C527	OW05-03330-03T	CHIP CAPACITOR	33PF N500 J330			C761	OW05-03152-06T	C CAPACITOR	1500PF K152	
	C528	OW05-03102-06T	C CAPACITOR	1000PF K102			C762	OW05-03223-06T	C CAPACITOR	0.022MF K223	
	C529	OW05-03104-06T	C CAPACITOR	0.1MF Y500 Z104 500A			C763	OW05-03103-06T	C CAPACITOR	0.01MF K103	
	C530	OW05-03104-06T	C CAPACITOR	0.1MF Y500 Z104 500A			C764	OW05-03103-06T	C CAPACITOR	0.01MF K103	
	C531	OW05-03104-06T	C CAPACITOR	0.1MF Y500 Z104 500A			C780	OW05-03221-03T	CHIP CAPACITOR	220PF N500 J221	
	C532	OW06-16476-00	E CAPACITOR	47MF 16V			C781	OW06-50475-00	E CAPACITOR	4.7MF 50V	
	C533	OW05-03102-06T	C CAPACITOR	1000PF K102			C782	OW06-50475-00	E CAPACITOR	4.7MF 50V	
	C534	OW05-03223-06T	C CAPACITOR	0.022MF K223			C787	OW05-03221-03T	CHIP CAPACITOR	220PF N500 J221	
	C535	OW05-03103-06T	C CAPACITOR	0.01MF K103			C788	OW05-03221-03T	CHIP CAPACITOR	220PF N500 J221	
	C536	OW05-03223-06T	C CAPACITOR	0.022MF K223			C789	OW05-03221-03T	CHIP CAPACITOR	220PF N500 J221	
	C537	OW05-03104-06T	C CAPACITOR	0.1MF Y500 Z104 500A			C790	OW05-03223-06T	C CAPACITOR	0.022MF K223	
	C538	OW06-16476-00	E CAPACITOR	47MF 16V			C791	OW06-16476-00	E CAPACITOR	47MF 16V	
	C539	OW05-03103-06T	C CAPACITOR	0.01MF K103			C796	OW05-03391-06T	CHIP CAPACITOR	390P N500 J391	
	C540	OW05-03223-06T	C CAPACITOR	0.022MF K223			C797	OW05-03391-06T	CHIP CAPACITOR	390P N500 J391	
	C541	OW06-50105-00	E CAPACITOR	1MF 50V			C799	OW06-16476-00	E CAPACITOR	47MF 16V	
	C542	OW05-03104-06T	C CAPACITOR	0.1MF Y500 Z104 500A			C803	OW06-50225-00	E CAPACITOR	2.2MF 50V	
	C543	OW05-03104-06T	C CAPACITOR	0.1MF Y500 Z104 500A			C804	OW06-50225-00	E CAPACITOR	2.2MF 50V	
	C544	OW06-16476-00	E CAPACITOR	47MF 16V			C805	OW06-50225-00	E CAPACITOR	2.2MF 50V	
	C545	OW06-16476-00	E CAPACITOR	47MF 16V			C806	OW06-50225-00	E CAPACITOR	2.2MF 50V	
	C546	OW05-03104-06T	C CAPACITOR	0.1MF Y500 Z104 500A			C807	OW05-03272-06T	C CAPACITOR	0.0027MF K272	
	C547	OW06-16107-00	E CAPACITOR	100MF 16V			C808	OW05-03272-06T	C CAPACITOR	0.0027MF K272	
	C548	OW05-03104-06T	C CAPACITOR	0.1MF Y500 Z104 500A			C809	OW05-03683-06T	C CAPACITOR	0.068MF Y685K 500A	
	C549	OW05-03104-06T	C CAPACITOR	0.1MF Y500 Z104 500A			C810	OW05-03683-06T	C CAPACITOR	0.068MF Y685K 500A	
	C551	OW06-16476-00	E CAPACITOR	47MF 16V			C811	OW05-03683-06T	C CAPACITOR	0.068MF Y685K 500A	

■ Electrical parts list (Main board)

Block No. 01

△	Item	Parts number	Parts name	Remarks	Area	△	Item	Parts number	Parts name	Remarks	Area
	C812	OW05-03683-06T	C CAPACITOR	0.068MF Y685K 500A			R302	OW07-25332-60K	CARBON RESISTOR	3.3K 1/16 332J	
	C813	OW06-16226-00	E CAPACITOR	22MF 16V			R303	OW07-15223-50T	CARBON RESISTOR	22K 1/8W 5%	
	C814	OW06-16227-00	E CAPACITOR	220MF 16V			R304	OW07-15223-50T	CARBON RESISTOR	22K 1/8W 5%	
	C815	OW05-03223-06T	C CAPACITOR	0.022MF K223			R305	OW07-15223-50T	CARBON RESISTOR	22K 1/8W 5%	
	C823	OW06-50225-00	E CAPACITOR	2.2MF 50V			R306	OW07-15223-50T	CARBON RESISTOR	22K 1/8W 5%	
	C824	OW06-50225-00	E CAPACITOR	2.2MF 50V			R307	OW07-25104-60K	CARBON RESISTOR	100K 1/16 104J	
	C833	OW05-03104-06T	C CAPACITOR	0.1MF Y500 Z104 500A			R312	OW07-15102-50T	CARBON RESISTOR	1K 1/8W 5%	
	C834	OW06-16107-00	E CAPACITOR	100MF 16V			R313	OW07-25223-60K	CARBON RESISTOR	22K 1/16 223J	
	C844	OW05-03470-03T	C CAPACITOR	47PF N500 J470			R315	OW07-25223-60K	CARBON RESISTOR	22K 1/16 223J	
	C845	OW05-03470-03T	C CAPACITOR	47PF N500 J470			R316	OW07-25223-60K	CARBON RESISTOR	22K 1/16 223J	
	C889	OW06-50225-00	E CAPACITOR	2.2MF 50V			R317	OW07-25472-60K	CARBON RESISTOR	4.7K 1/16 472J	
	C890	OW06-50225-00	E CAPACITOR	2.2MF 50V			R318	OW07-25472-60K	CARBON RESISTOR	4.7K 1/16 472J	
	C893	OW06-50225-00	E CAPACITOR	2.2MF 50V			R319	OW07-25472-60K	CARBON RESISTOR	4.7K 1/16 472J	
	C894	OW06-50225-00	E CAPACITOR	2.2MF 50V			R320	OW07-15103-50T	CARBON RESISTOR	10K 1/8W 5%	
	DOOR	OW16-10101-07H	MICRO SWITCH	1P1T MSS-10-1			R321	OW07-15103-50T	CARBON RESISTOR	10K 1/8W 5%	
	D302	OW02-04148-00R	DIODE	1N4148			R322	OW07-25102-60K	CARBON RESISTOR	1K 1/16 102J	
	D702	OW02-04001-00	DIODE	1N4001			R323	OW07-25471-60K	CARBON RESISTOR	470 1/16 471J	
	D801	OW02-04148-00R	DIODE	1N4148			R325	OW07-25102-60K	CARBON RESISTOR	1K 1/16 102J	
	D802	OW02-04148-00R	DIODE	1N4148			R326	OW07-25102-60K	CARBON RESISTOR	1K 1/16 102J	
	IC301	OW03-00010-00	IC	MX10FLCDPC			R327	OW07-25221-60K	CARBON RESISTOR	220 1/16 221J	
	IC302	OW03-02401-00	IC	ST24C01			R328	OW07-25331-60K	CARBON RESISTOR	330 1/8W	
	IC501	OW03-07324-02	IC	SAA7324H/T/M2B			R329	OW07-25102-60K	CARBON RESISTOR	1K 1/16 102J	
	IC502	OW03-07073-40	IC	TDA7073/N4			R330	OW07-25102-60K	CARBON RESISTOR	1K 1/16 102J	
	IC503	OW03-07073-40	IC	TDA7073/N4			R331	OW07-25102-60K	CARBON RESISTOR	1K 1/16 102J	
	IC504	OW03-01024-01	IC	TZA1024T			R332	OW07-25102-60K	CARBON RESISTOR	1K 1/16 102J	
△	IC505	OW03-07805-02	IC	NJM7805FA			R333	OW07-25102-60K	CARBON RESISTOR	1K 1/16 102J	
	IC701	OW03-25616-00	IC	256K X 16			R334	OW07-25102-60K	CARBON RESISTOR	1K 1/16 102J	
	IC702	OW03-27207-05	IC				R335	OW07-25102-60K	CARBON RESISTOR	1K 1/16 102J	
	IC703	OW03-00188-01	IC	LS188C			R336	OW07-25102-60K	CARBON RESISTOR	1K 1/16 102J	
	IC704	OW03-01308-00P	IC	TDA1308T/N1			R337	OW07-25102-60K	CARBON RESISTOR	1K 1/16 102J	
	IC801	OW03-02314-00	IC	PT2314			R338	OW07-25221-60K	CARBON RESISTOR	220 1/16 221J	
	J1001	OW09-70220-00	INDUCTOR	2.2 UH			R339	OW07-25221-60K	CARBON RESISTOR	220 1/16 221J	
	J1002	OW09-70220-00	INDUCTOR	2.2 UH			R342	OW07-25102-60K	CARBON RESISTOR	1K 1/16 102J	
	J1013	OW09-70102-00	INDUCTOR	100UH			R343	OW07-25102-60K	CARBON RESISTOR	1K 1/16 102J	
	J501	OW07-25000-50K	CARBON RESISTOR	0 1/10 J			R344	OW07-25102-60K	CARBON RESISTOR	1K 1/16 102J	
	J502	OW07-25000-50K	CARBON RESISTOR	0 1/10 J			R345	OW07-25102-60K	CARBON RESISTOR	1K 1/16 102J	
	J503	OW07-25000-50K	CARBON RESISTOR	0 1/10 J			R346	OW07-25103-60K	CARBON RESISTOR	10K 1/16 103J	
	J504	OW07-25000-60K	CARBON RESISTOR	0 1/16 000J			R347	OW07-25123-60K	CARBON RESISTOR	12K 1/16 123J	
	J505	OW07-25000-50K	CARBON RESISTOR	0 1/10 J			R348	OW07-25682-60K	CARBON RESISTOR	6.8K 1/16 682J	
	J506	OW07-25000-60K	CARBON RESISTOR	0 1/16 000J			R349	OW07-25223-60K	CARBON RESISTOR	22K 1/16 223J	
	J507	OW08-00118-01	FERRITE BEAD	1 100MHZ			R352	OW07-15103-50T	CARBON RESISTOR	10K 1/8W 5%	
	J508	OW07-25000-50K	CARBON RESISTOR	0 1/10 J			R353	OW07-25105-60K	CARBON RESISTOR	1M 1/16 105J	
	J509	OW08-00118-01	FERRITE BEAD	1 100MHZ			R354	OW07-25221-60K	CARBON RESISTOR	220 1/16 221J	
	J830	OW07-25000-50K	CARBON RESISTOR	0 1/10 J			R355	OW07-25475-60K	CARBON RESISTOR	4.7M 1/16 475J	
	L301	OW09-70101-00	INDUCTOR	10MH			R380	OW07-25473-60K	CARBON RESISTOR	47K 1/16 473J	
	L501	OW08-01122-00	FERRITE BEAD	RH03509ST-B246			R502	OW07-25022-60K	CARBON RESISTOR	2R2 1/16 2R20J	
	L503	OW08-01122-00	FERRITE BEAD	RH03509ST-B246			R503	OW07-25332-60K	CARBON RESISTOR	3.3K 1/16 332J	
	L510	OW09-70100-00	INDUCTOR	1UH			R504	OW07-25152-60K	CARBON RESISTOR	1.5K 1/16 152J	
	L701	OW08-01122-00	FERRITE BEAD	RH03509ST-B246			R505	OW07-15100-00	CARBON RESISTOR	10 1/4W 5%	
	L702	OW08-01122-00	FERRITE BEAD	RH03509ST-B246			R506	OW07-15222-50T	CARBON RESISTOR	2.2K 1/8W 5%	
	L703	OW08-01122-00	FERRITE BEAD	RH03509ST-B246			R507	OW07-25222-60K	CARBON RESISTOR	2.2K 1/16 222J	
	L704	OW08-01122-00	FERRITE BEAD	RH03509ST-B246			R508	OW07-15222-50T	CARBON RESISTOR	2.2K 1/8W 5%	
	L705	OW08-01122-00	FERRITE BEAD	RH03509ST-B246			R509	OW07-15222-50T	CARBON RESISTOR	2.2K 1/8W 5%	
	L719	OW09-70101-00	INDUCTOR	10MH			R510	OW07-25102-51K	CARBON RESISTOR	1K 1%	
△	Q301	OW01-01383-18	TRANSISTOR	2SC1383R			R511	OW07-25102-51K	CARBON RESISTOR	1K 1%	
	Q302	OW01-00945-16	TRANSISTOR	2SC945P			R512	OW07-25102-51K	CARBON RESISTOR	1K 1%	
	Q303	OW01-00945-16	TRANSISTOR	2SC945P			R513	OW07-25102-51K	CARBON RESISTOR	1K 1%	
△	Q501	OW01-08050-04S	TRANSISTOR	8050D			R514	OW07-11102-51T	CARBON RESISTOR	1K 1/8W 1%	
△	Q502	OW01-08050-04S	TRANSISTOR	8050D			R515	OW07-25102-51K	CARBON RESISTOR	1K 1%	
	Q503	OW01-00945-16	TRANSISTOR	2SC945P			R516	OW07-11223-51T	CARBON RESISTOR	22K 1/8W 1%	
△	Q701	OW01-01383-18	TRANSISTOR	2SC1383R			R517	OW07-11223-51T	CARBON RESISTOR	22K 1/8W 1%	
△	Q801	OW01-01383-18	TRANSISTOR	2SC1383R			R518	OW07-11223-51T	CARBON RESISTOR	22K 1/8W 1%	
	R301	OW07-15101-00	CARBON RESISTOR	100 1/4W			R519	OW07-11223-51T	CARBON RESISTOR	22K 1/8W 1%	

■ Electrical parts list (Main board)

Block No. 01

▲	Item	Parts number	Parts name	Remarks	Area	▲	Item	Parts number	Parts name	Remarks	Area
	R520	OW07-11223-51T	CARBON RESISTOR	22K 1/8W 1%			R798	OW07-15472-50T	CARBON RESISTOR	4.7K 1/8W 5%	
	R521	OW07-11223-51T	CARBON RESISTOR	22K 1/8W 1%			R799	OW07-25223-60K	CARBON RESISTOR	22K 1/16 223J	
	R522	OW07-15010-00	CARBON RESISTOR	1 1/4W 5%			R801	OW07-25822-60K	CARBON RESISTOR	8.2K 1/16 822J	
	R523	OW07-25102-60K	CARBON RESISTOR	1K 1/16 102J			R802	OW07-25822-60K	CARBON RESISTOR	8.2K 1/16 822J	
	R524	OW07-25103-60K	CARBON RESISTOR	10K 1/16 103J			R803	OW07-25102-60K	CARBON RESISTOR	1K 1/16 102J	
	R525	OW07-25102-60K	CARBON RESISTOR	1K 1/16 102J			R804	OW07-25102-60K	CARBON RESISTOR	1K 1/16 102J	
	R526	OW07-25223-60K	CARBON RESISTOR	22K 1/16 223J			R805	OW07-15220-00	CARBON RESISTOR	22 1/4W 5%	
	R527	OW07-25253-60K	CARBON RESISTOR	25K 1/16W 253J			R806	OW07-25562-60K	CARBON RESISTOR	5.6K 1/16 562J	
	R528	OW07-25104-60K	CARBON RESISTOR	100K 1/16 104J			R807	OW07-25562-60K	CARBON RESISTOR	5.6K 1/16 562J	
	R529	OW07-25182-60K	CARBON RESISTOR	1.8K 1/16 182J			R808	OW07-25471-60K	CARBON RESISTOR	470 1/16 471J	
	R530	OW07-25473-60K	CARBON RESISTOR	47K 1/16 473J			R809	OW07-25471-60K	CARBON RESISTOR	470 1/16 471J	
	R531	OW07-25473-60K	CARBON RESISTOR	47K 1/16 473J			R824	OW07-25561-60K	CARBON RESISTOR	560 1/16 561J	
	R532	OW07-15010-00	CARBON RESISTOR	1 1/4W 5%			R825	OW07-25222-60K	CARBON RESISTOR	2.2K 1/16 222J	
	R533	OW07-25821-60K	CARBON RESISTOR	820 1/16 821J			R826	OW07-25222-60K	CARBON RESISTOR	2.2K 1/16 222J	
	R534	OW07-15223-50T	CARBON RESISTOR	22K 1/8W 5%			R827	OW07-25222-60K	CARBON RESISTOR	2.2K 1/16 222J	
	R535	OW07-25821-60K	CARBON RESISTOR	820 1/16 821J			R828	OW07-25222-60K	CARBON RESISTOR	2.2K 1/16 222J	
	R536	OW07-15123-50T	CARBON RESISTOR	12K 1/8W 5%			R831	OW07-25104-60K	CARBON RESISTOR	100K 1/16 104J	
	R537	OW07-15100-00	CARBON RESISTOR	10 1/4W 5%			R832	OW07-25104-60K	CARBON RESISTOR	100K 1/16 104J	
	R538	OW07-25821-60K	CARBON RESISTOR	820 1/16 821J			R833	OW07-25105-60K	CARBON RESISTOR	1M 1/16 105J	
	R539	OW07-15102-50T	CARBON RESISTOR	1K 1/8W 5%			X301	OW04-12072-00	CRYSTAL	12.072MHZ	
	R540	OW07-15102-50T	CARBON RESISTOR	1K 1/8W 5%			X501	OW04-84672-00	CRYSTAL	8.4672MHZ	
	R541	OW07-25123-60K	CARBON RESISTOR	12K 1/16 123J			X701	OW04-00027-00	CRYSTAL	27MHZ	
	R542	OW07-25104-60K	CARBON RESISTOR	100K 1/16 104J		▲	ZD301	OW02-50056-00	ZENER DIODE	5.6V 0.5W	
	R543	OW07-25022-60K	CARBON RESISTOR	2R2 1/16 2R20J		▲	ZD501	OW02-50039-00	ZENER DIODE	3.9V 0.5W	
	R544	OW07-25103-60K	CARBON RESISTOR	10K 1/16 103J		▲	ZD502	OW02-50039-00	ZENER DIODE	3.9V 0.5W	
	R545	OW07-25022-60K	CARBON RESISTOR	2R2 1/16 2R20J		▲	ZD701	OW02-50039-00	ZENER DIODE	3.9V 0.5W	
	R546	OW07-25022-60K	CARBON RESISTOR	2R2 1/16 2R20J		▲	ZD801	OW02-50082-00	ZENER DIODE	8.2V 0.5W	
	R547	OW07-25101-60K	CARBON RESISTOR	100 1/16 101J							
	R548	OW07-25330-60K	CARBON RESISTOR	33 1/16 330J							
	R549	OW07-25330-60K	CARBON RESISTOR	33 1/16 330J							
	R550	OW07-25330-60K	CARBON RESISTOR	33 1/16 330J							
	R551	OW07-25101-60K	CARBON RESISTOR	100 1/16 101J							
	R552	OW07-25472-60K	CARBON RESISTOR	4.7K 1/16 472J							
	R553	OW07-15103-50T	CARBON RESISTOR	10K 1/8W 5%							
	R554	OW07-25103-60K	CARBON RESISTOR	10K 1/16 103J							
	R555	OW07-25101-60K	CARBON RESISTOR	100 1/16 101J							
	R557	OW07-25101-60K	CARBON RESISTOR	100 1/16 101J							
	R559	OW07-25223-60K	CARBON RESISTOR	22K 1/16 223J							
	R560	OW07-25102-60K	CARBON RESISTOR	1K 1/16 102J							
	R569	OW07-25000-60K	CARBON RESISTOR	0 1/16 000J							
	R701	OW07-25103-60K	CARBON RESISTOR	10K 1/16 103J							
	R702	OW07-25472-60K	CARBON RESISTOR	4.7K 1/16 472J							
	R703	OW07-25101-60K	CARBON RESISTOR	100 1/16 101J							
	R705	OW07-25472-60K	CARBON RESISTOR	4.7K 1/16 472J							
	R706	OW07-15222-50T	CARBON RESISTOR	2.2K 1/8W 5%							
	R707	OW07-25222-60K	CARBON RESISTOR	2.2K 1/16 222J							
	R708	OW07-25222-60K	CARBON RESISTOR	2.2K 1/16 222J							
	R709	OW07-15222-50T	CARBON RESISTOR	2.2K 1/8W 5%							
	R710	OW07-25471-60K	CARBON RESISTOR	470 1/16 471J							
	R711	OW07-25471-60K	CARBON RESISTOR	470 1/16 471J							
	R782	OW07-25223-60K	CARBON RESISTOR	22K 1/16 223J							
	R784	OW07-25223-60K	CARBON RESISTOR	22K 1/16 223J							
	R786	OW07-25223-60K	CARBON RESISTOR	22K 1/16 223J							
	R787	OW07-25223-60K	CARBON RESISTOR	22K 1/16 223J							
	R788	OW07-25223-60K	CARBON RESISTOR	22K 1/16 223J							
	R789	OW07-25223-60K	CARBON RESISTOR	22K 1/16 223J							
	R790	OW07-25102-60K	CARBON RESISTOR	1K 1/16 102J							
	R791	OW07-25102-60K	CARBON RESISTOR	1K 1/16 102J							
	R792	OW07-25102-60K	CARBON RESISTOR	1K 1/16 102J							
	R793	OW07-15472-50T	CARBON RESISTOR	4.7K 1/8W 5%							
	R795	OW07-25223-60K	CARBON RESISTOR	22K 1/16 223J							
	R796	OW07-15472-50T	CARBON RESISTOR	4.7K 1/8W 5%							
	R797	OW07-15472-50T	CARBON RESISTOR	4.7K 1/8W 5%							

■ Electrical parts list (Tuner board)

Block No. 02

△	Item	Parts number	Parts name	Remarks	Area	△	Item	Parts number	Parts name	Remarks	Area
	CF101	OW09-50107-56	CERAMIC FILTER	10MHZ7 SFE MS3A			D102	OW02-04148-00R	DIODE	1N4148	
	CF102	OW09-50107-56	CERAMIC FILTER	10MHZ7 SFE MS3A			D103	OW02-70102-00P	DIODE	HN1V02H	
	C101	OW05-00120-06	C CAPACITOR	12PF NPO 5%			D104	OW02-00201-00	DIODE	SVC201SPA	
	C102	OW05-00680-06	C CAPACITOR	68PF NPO 5%			D105	OW02-00201-00	DIODE	SVC201SPA	
	C103	OW05-00050-06	C CAPACITOR	5PF NPO 5%			D106	OW02-00201-00	DIODE	SVC201SPA	
	C104	OW05-00040-06	C CAPACITOR	4PF NPO			D107	OW02-04148-00R	DIODE	1N4148	
	C105	OW06-16107-00	E CAPACITOR	100MF 16V			D108	OW02-04148-00R	DIODE	1N4148	
	C106	OW05-07104-82B	C CAPACITOR	0.1MF 50V			D109	OW02-04148-00R	DIODE	1N4148	
	C107	OW05-00102-00	C CAPACITOR	0.001MF 10% 50V			D110	OW02-04148-00R	DIODE	1N4148	
	C108	OW05-00270-06	C CAPACITOR	27PF NPO			IC101	OW03-05757-00	IC	TEA5757H/V1	
	C109	OW05-00330-06	C CAPACITOR	33PF NPO 5%			L101	OW09-02750-01	FM OSC COIL	3140 107 33610	
	C110	OW05-00103-00	C CAPACITOR	0.01MF 10% 50V			L102	OW09-02750-05L	FM OSC COIL	MD7B-01F54	
	C111	OW05-07331-10A	C CAPACITOR	330PF 10%			L104	OW09-70101-00	INDUCTOR	10MH	
	C112	OW05-07224-00	C CAPACITOR	0.22MF			L105	OW09-00063-70	AM ANT COIL	63T AN77-861851	
	C113	OW05-03105-12P	M CAPACITOR	S 1U PM10 50V			Q102	OW01-00733-16	TRANSISTOR	2SA733P	
	C114	OW05-00180-06	C CAPACITOR	18PF NPO 5%			Q103	OW01-00945-16	TRANSISTOR	2SC945P	
	C115	OW05-00470-06	C CAPACITOR	47PF NPO 5%			Q106	OW01-00557-01	TRANSISTOR	BC557B	
	C116	OW05-09471-05	PP CAPACITOR	470PF 5%			Q107	OW01-00547-01	TRANSISTOR	BC547C	
	C117	OW05-07223-82A	C CAPACITOR	0.022MF			Q108	OW01-00547-01	TRANSISTOR	BC547C	
	C118	OW05-07104-82B	C CAPACITOR	0.1MF 50V			Q109	OW01-00547-01	TRANSISTOR	BC547C	
	C119	OW06-16106-00	E CAPACITOR	10MF 16V			R101	OW07-15104-50T	CARBON RESISTOR	100K 1/8W 5%	
	C120	OW05-07223-82A	C CAPACITOR	0.022MF			R103	OW07-15333-50T	CARBON RESISTOR	33K 1/8W 5%	
	C121	OW05-07221-10A	C CAPACITOR	220PF			R104	OW07-15221-50T	CARBON RESISTOR	220 1/8W 5%	
	C122	OW05-07221-10A	C CAPACITOR	220PF			R105	OW07-15182-50T	CARBON RESISTOR	1.8K 1/8W 5%	
	C123	OW05-07223-82A	C CAPACITOR	0.022MF			R106	OW07-15470-50T	CARBON RESISTOR	47 1/8W 5%	
	C124	OW05-00120-06	C CAPACITOR	12PF NPO 5%			R107	OW07-15563-50T	CARBON RESISTOR	56K 1/8W 5%	
	C125	OW05-07102-10A	C CAPACITOR	1000PF 10%			R108	OW07-15470-50T	CARBON RESISTOR	47 1/8W 5%	
	C126	OW05-07221-10A	C CAPACITOR	220PF 10%			R109	OW07-15223-50T	CARBON RESISTOR	22K 1/8W 5%	
	C127	OW06-16106-00	E CAPACITOR	10MF 16V			R110	OW07-15181-50T	CARBON RESISTOR	180 1/8W 5%	
	C128	OW05-07223-82A	C CAPACITOR	0.022MF			R111	OW07-15222-50T	CARBON RESISTOR	2.2K 1/8W 5%	
	C129	OW05-07223-82A	C CAPACITOR	0.022MF			R114	OW07-15471-50T	CARBON RESISTOR	470 1/8W 5%	
	C130	OW05-06474-20	M CAPACITOR	0.47MF 20%			R115	OW07-15471-50T	CARBON RESISTOR	470 1/8W 5%	
	C131	OW05-06474-20	M CAPACITOR	0.47MF 20%			R116	OW07-15471-50T	CARBON RESISTOR	470 1/8W 5%	
	C132	OW06-50105-00	E CAPACITOR	1MF 50V			R117	OW07-15471-50T	CARBON RESISTOR	470 1/8W 5%	
	C133	OW05-07103-10T	C CAPACITOR	0.01MF/B50V 10%			R118	OW07-15154-50T	CARBON RESISTOR	150K 1/8W 5%	
	C134	OW06-50225-00	E CAPACITOR	2.2MF 50V			R119	OW07-15220-50T	CARBON RESISTOR	22 1/8W 5%	
	C135	OW06-50225-00	E CAPACITOR	2.2MF 50V			R120	OW07-15680-50T	CARBON RESISTOR	68 1/8W 5%	
	C136	OW05-07103-10T	C CAPACITOR	0.01MF/B50V 10%			R121	OW07-15331-50T	CARBON RESISTOR	330 1/8W 5%	
	C137	OW06-50225-00	E CAPACITOR	2.2MF 50V			R122	OW07-15220-50T	CARBON RESISTOR	22 1/8W 5%	
	C138	OW05-00820-06S	C CAPACITOR	82PF 50V 5% NPO			R123	OW07-15121-50T	CARBON RESISTOR	120 1/8W 5%	
	C139	OW05-00150-06S	C CAPACITOR	15PF 50V 5% NPO			R124	OW07-15472-50T	CARBON RESISTOR	4.7K 1/8W 5%	
	C140	OW05-06474-20	M CAPACITOR	0.47MF 20%			R125	OW07-15473-50T	CARBON RESISTOR	47K 1/8W 5%	
	C141	OW05-07104-82B	C CAPACITOR	0.1MF 50V			R126	OW07-15390-50T	CARBON RESISTOR	39 1/8W 5%	
	C142	OW05-07104-82B	C CAPACITOR	0.1MF 50V			R127	OW07-15473-50T	CARBON RESISTOR	47K 1/8W 5%	
	C143	OW06-16107-00	E CAPACITOR	100MF 16V			R128	OW07-15473-50T	CARBON RESISTOR	47K 1/8W 5%	
	C146	OW06-50225-00	E CAPACITOR	2.2MF 50V			R129	OW07-15222-50T	CARBON RESISTOR	2.2K 1/8W 5%	
	C158	OW05-07103-10T	C CAPACITOR	0.01MF/B50V 10%			R130	OW07-15222-50T	CARBON RESISTOR	2.2K 1/8W 5%	
	C159	OW06-16107-00	E CAPACITOR	100MF 16V			R131	OW07-15123-50T	CARBON RESISTOR	12K 1/8W 5%	
	C160	OW06-50224-00	E CAPACITOR	0.22MF 50V			R132	OW07-15123-50T	CARBON RESISTOR	12K 1/8W 5%	
	C161	OW05-07101-10A	C CAPACITOR	100PF 10%			R145	OW07-15151-50T	CARBON RESISTOR	150 1/8W 5%	
	C162	OW05-07103-10T	C CAPACITOR	0.01MF/B50V 10%			R146	OW07-15222-50T	CARBON RESISTOR	2.2K 1/8W 5%	
	C163	OW05-07103-10T	C CAPACITOR	0.01MF/B50V 10%			R147	OW07-15104-50T	CARBON RESISTOR	100K 1/8W 5%	
	C164	OW05-07103-10T	C CAPACITOR	0.01MF/B50V 10%			R148	OW07-15105-50T	CARBON RESISTOR	1M 1/8W 5%	
	C165	OW05-07103-10T	C CAPACITOR	0.01MF/B50V 10%			R149	OW07-15474-50T	CARBON RESISTOR	470K 1/8W 5%	
	C166	OW06-16226-00	E CAPACITOR	22MF 16V			R150	OW07-15222-50T	CARBON RESISTOR	2.2K 1/8W 5%	
	C167	OW06-16106-00	E CAPACITOR	10MF 16V			R151	OW07-15472-50T	CARBON RESISTOR	4.7K 1/8W 5%	
	C168	OW05-07102-10A	C CAPACITOR	1000PF 10%			R152	OW07-15102-50T	CARBON RESISTOR	1K 1/8W 5%	
	C169	OW05-07102-10A	C CAPACITOR	1000PF 10%			R153	OW07-15223-50T	CARBON RESISTOR	22K 1/8W 5%	
	C170	OW05-07102-10A	C CAPACITOR	1000PF 10%			R154	OW07-15103-50T	CARBON RESISTOR	10K 1/8W 5%	
	C171	OW06-16106-00	E CAPACITOR	10MF 16V			R155	OW07-15103-50T	CARBON RESISTOR	10K 1/8W 5%	
	C198	OW05-07103-10T	C CAPACITOR	0.01MF/B50V 10%			R156	OW07-15220-50T	CARBON RESISTOR	22 1/8W 5%	
	C199	OW05-07103-10T	C CAPACITOR	0.01MF/B50V 10%			TC101	OW05-08100-03	TRIM CAPACITOR	10PF 3PIN	
	D101	OW02-04148-00R	DIODE	1N4148			TC102	OW05-08100-03	TRIM CAPACITOR	10PF 3PIN	

■ Electrical parts list (Tuner board)

Block No. 02

△	Item	Parts number	Parts name	Remarks	Area
	T102	OW08-94615-00C	VARIABLE INDUCT	OHK7-862143	
	T103	OW08-94346-00C	VARIABLE INDUCT	OHK7-862143	
	T104	OW08-82057-00C	AM IF COIL	AHK7-865178	
	T105	OW08-82059-00C	AM IF COIL	AHK7-864647	
	T106	OW08-82059-00C	AM IF COIL	AHK7-864647	
	VR101	OW17-31104-08P	RTRM CAR	LIN 100K H EVND	
△	ZD101	OW02-50047-00	ZENER DIODE	4.7V 0.5W	
△	ZD102	OW02-50110-00	ZENER DIODE	11V 0.5W	

■ Electrical parts list (Power amplifier board)

Block No. 03

△	Item	Parts number	Parts name	Remarks	Area
	C201	OW06-16106-00	E CAPACITOR	10MF 16V	
	C204	OW06-50105-00	E CAPACITOR	1MF 50V	
	C205	OW06-50105-00	E CAPACITOR	1MF 50V	
	C206	OW05-07102-10A	C CAPACITOR	1000PF 10%	
	C207	OW05-07102-10A	C CAPACITOR	1000PF 10%	
	C208	OW06-25107-00	E CAPACITOR	100MF 25V	
	C209	OW06-25107-00	E CAPACITOR	100MF 25V	
	C211	OW06-25107-00	E CAPACITOR	100MF 25V	
	C212	OW06-25107-00	E CAPACITOR	100MF 25V	
	C213	OW06-16108-00	E CAPACITOR	1000MF 16V	
	C214	OW06-16108-00	E CAPACITOR	1000MF 16V	
	C215	OW06-25107-00	E CAPACITOR	100MF 25V	
	C216	OW05-02154-10	M CAPACITOR	0.15MF 10%	
	C217	OW05-02154-10	M CAPACITOR	0.15MF 10%	
	C218	OW06-16475-00	E CAPACITOR	4.7MF 16V	
	C219	OW06-16475-00	E CAPACITOR	4.7MF 16V	
	C220	OW05-00104-82	C CAPACITOR	0.1MF +80%-20%	
△	C221	OW06-25478-00	E CAPACITOR	4700MF 25V	
	C222	OW05-00104-82	C CAPACITOR	0.1MF +80%-20%	
	C223	OW05-00104-82	C CAPACITOR	0.1MF +80%-20%	
	C224	OW05-00104-82	C CAPACITOR	0.1MF +80%-20%	
	C225	OW05-00104-82	C CAPACITOR	0.1MF +80%-20%	
	C229	OW05-00104-82	C CAPACITOR	0.1MF +80%-20%	
	C234	OW05-00104-82	C CAPACITOR	0.1MF +80%-20%	
	C235	OW06-50105-00	E CAPACITOR	1MF 50V	
△	D202	OW02-00202-00	DIODE	RL202	
△	D203	OW02-00202-00	DIODE	RL202	
△	D204	OW02-00202-00	DIODE	RL202	
△	D205	OW02-00202-00	DIODE	RL202	
△	D208	OW02-50100-00	ZENER DIODE	10V 0.5W	
△	F201	OW33-57252-03W	FUSE	T2.5AL 250V	
	HF201	OW39-10001-00P	FUSE HOLDER		
△	IC201	OW03-05417-00	IC	BA5417	
	Q201	OW01-08050-04S	TRANSISTOR	8050D	
	Q202	OW01-08050-04S	TRANSISTOR	8050D	
	Q203	OW01-00945-16	TRANSISTOR	2SC945P	
△	Q204	OW01-00928-00	TRANSISTOR	KSA928A-Y	
△	Q205	OW01-01913-18	TRANSISTOR	2SD1913R/S	
	Q206	OW01-08050-04S	TRANSISTOR	8050D	
	Q207	OW01-00945-16	TRANSISTOR	2SC945P	
	R201	OW07-15682-50T	CARBON RESISTOR	6.8K 1/8W 5%	
	R202	OW07-15682-50T	CARBON RESISTOR	6.8K 1/8W 5%	
	R203	OW07-15562-50T	CARBON RESISTOR	5.6K 1/8W 5%	
	R204	OW07-15562-50T	CARBON RESISTOR	5.6K 1/8W 5%	
	R205	OW07-15471-50T	CARBON RESISTOR	470 1/8W 5%	
	R206	OW07-15471-50T	CARBON RESISTOR	470 1/8W 5%	
	R207	OW07-15022-50T	CARBON RESISTOR	2.2 1/8W 5%	
	R208	OW07-15022-50T	CARBON RESISTOR	2.2 1/8W 5%	
	R210	OW07-15103-50T	CARBON RESISTOR	10K 1/8W 5%	
	R211	OW07-15103-50T	CARBON RESISTOR	10K 1/8W 5%	
	R212	OW07-15223-50T	CARBON RESISTOR	22K 1/8W 5%	
	R213	OW07-15121-50T	CARBON RESISTOR	120 1/8W 5%	
	R214	OW07-15121-50T	CARBON RESISTOR	120 1/8W 5%	
	R215	OW07-05100-10	CARBON RESISTOR	10 1/2W	
	R217	OW07-15473-50T	CARBON RESISTOR	47K 1/8W 5%	
	R222	OW07-15103-50T	CARBON RESISTOR	10K 1/8W 5%	
	R223	OW07-15103-50T	CARBON RESISTOR	10K 1/8W 5%	
	R224	OW07-15103-50T	CARBON RESISTOR	10K 1/8W 5%	
	R228	OW07-15104-50T	CARBON RESISTOR	100K 1/8W 5%	
	R229	OW07-15223-50T	CARBON RESISTOR	22K 1/8W 5%	
	R230	OW07-15472-50T	CARBON RESISTOR	4.7K 1/8W 5%	
	R232	OW07-15472-50T	CARBON RESISTOR	4.7K 1/8W 5%	
	R233	OW07-15473-50T	CARBON RESISTOR	47K 1/8W 5%	
	R242	OW07-15222-50T	CARBON RESISTOR	2.2K 1/8W 5%	

■ Electrical parts list (Cassette board)

Block No. 04

△	Item	Parts number	Parts name	Remarks	Area
	C601	OW05-07182-20T	C CAPACITOR	1800PF 20% 50V	
	C602	OW05-07182-20T	C CAPACITOR	1800PF 20% 50V	
	C603	OW05-07102-10A	C CAPACITOR	1000P 10%	
	C604	OW05-07102-10A	C CAPACITOR	1000P 10%	
	C605	OW05-07473-82A	C CAPACITOR	0.047MF	
	C606	OW05-07473-82A	C CAPACITOR	0.047MF	
	C607	OW05-07223-82A	C CAPACITOR	0.022MF	
	C608	OW05-07223-82A	C CAPACITOR	0.022MF	
	C609	OW06-16227-00	E CAPACITOR	220MF 16V	
	C610	OW06-16227-00	E CAPACITOR	220MF 16V	
	C611	OW06-16106-00	E CAPACITOR	10MF 16V	
	C612	OW06-16106-00	E CAPACITOR	10MF 16V	
	C613	OW06-50105-00	E CAPACITOR	1MF 50V	
	C614	OW06-16106-00	E CAPACITOR	10MF 16V	
	C615	OW06-50105-00	E CAPACITOR	1MF 50V	
	C616	OW06-16227-00	E CAPACITOR	220MF 16V	
	C617	OW06-16476-00	E CAPACITOR	47MF 16V	
	C618	OW05-07223-82A	C CAPACITOR	0.022MF	
	C619	OW06-16106-00	E CAPACITOR	10MF 16V	
	C620	OW05-07151-10T	C CAPACITOR	150PF B50V 10%	
	C621	OW05-07151-10T	C CAPACITOR	150PF B50V 10%	
	C622	OW06-50105-00	E CAPACITOR	1MF 50V	
	C623	OW06-50105-00	E CAPACITOR	1MF 50V	
	C624	OW06-16106-00	E CAPACITOR	10MF 16V	
	C625	OW05-07223-82A	C CAPACITOR	0.022MF	
	C626	OW05-07181-10A	C CAPACITOR	180PF 10%	
	C627	OW05-07272-10A	C CAPACITOR	2700P 10%	
	C628	OW05-07272-10A	C CAPACITOR	2700P 10%	
	C629	OW05-07102-10A	C CAPACITOR	1000P 10%	
	C630	OW05-07102-10A	C CAPACITOR	1000P 10%	
	C631	OW05-07223-82A	C CAPACITOR	0.022MF	
	C632	OW06-25476-00	E CAPACITOR	47MF 25V	
	C633	OW05-00223-82	C CAPACITOR	0.022MF +80-20%	
	C634	OW05-07102-10A	C CAPACITOR	1000P 10%	
	C635	OW05-07102-10A	C CAPACITOR	1000P 10%	
	C640	OW05-00331-00	C CAPACITOR	330PF	
	C641	OW05-00331-00	C CAPACITOR	330PF	
	C655	OW06-16106-00	E CAPACITOR	10MF 16V	
	D601	OW02-04148-00R	DIODE	1N4148	
	IC601	OW03-07312-00	IC	AN7312	
	Q601	OW01-00945-16	TRANSISTOR	2SC945P	
	Q602	OW01-00945-16	TRANSISTOR	2SC945P	
	Q603	OW01-00945-16	TRANSISTOR	2SC945P	
	Q604	OW01-00945-16	TRANSISTOR	2SC945P	
	Q605	OW01-00945-16	TRANSISTOR	2SC945P	
	R601	OW07-15153-50T	CARBON RESISTOR	15K 1/8W 5%	
	R602	OW07-15153-50T	CARBON RESISTOR	15K 1/8W 5%	
	R604	OW07-15180-50T	CARBON RESISTOR	18 1/8W 5%	
	R605	OW07-15180-50T	CARBON RESISTOR	18 1/8W 5%	
	R609	OW07-15332-50T	CARBON RESISTOR	3.3K 1/8W 5%	
	R610	OW07-15332-50T	CARBON RESISTOR	3.3K 1/8W 5%	
	R611	OW07-15562-50T	CARBON RESISTOR	5.6K 1/8W 5%	
	R612	OW07-15562-50T	CARBON RESISTOR	5.6K 1/8W 5%	
	R613	OW07-15103-50T	CARBON RESISTOR	10K 1/8W 5%	
	R614	OW07-15103-50T	CARBON RESISTOR	10K 1/8W 5%	
	R615	OW07-15684-50T	CARBON RESISTOR	680K 1/8W 5%	
	R616	OW07-15103-50T	CARBON RESISTOR	10K 1/8W 5%	
	R617	OW07-15103-50T	CARBON RESISTOR	10K 1/8W 5%	
	R618	OW07-15473-50T	CARBON RESISTOR	47K 1/8W 5%	
	R619	OW07-15561-50T	CARBON RESISTOR	560 1/8W 5%	
	R620	OW07-15561-50T	CARBON RESISTOR	560 1/8W 5%	
	R621	OW07-15334-50T	CARBON RESISTOR	330K 1/8W 5%	
	R622	OW07-15334-50T	CARBON RESISTOR	330K 1/8W 5%	

△	Item	Parts number	Parts name	Remarks	Area
	R623	OW07-15272-50T	CARBON RESISTOR	2.7K 1/8W 5%	
	R624	OW07-15473-50T	CARBON RESISTOR	47K 1/8W 5%	
	R625	OW07-15223-50T	CARBON RESISTOR	22K 1/8W 5%	
	R626	OW07-15223-50T	CARBON RESISTOR	22K 1/8W 5%	
	R627	OW07-15101-50T	CARBON RESISTOR	100 1/8W 5%	
	R628	OW07-15273-50T	CARBON RESISTOR	27K 1/8W 5%	
	R629	OW07-15100-50T	CARBON RESISTOR	10 1/8W 5%	
	R630	OW07-15103-50T	CARBON RESISTOR	10K 1/8W 5%	
	R631	OW07-15103-50T	CARBON RESISTOR	10K 1/8W 5%	
	R633	OW07-15473-50T	CARBON RESISTOR	47K 1/8W 5%	
	R636	OW07-15153-50T	CARBON RESISTOR	15K 1/8W 5%	
	R637	OW07-15153-50T	CARBON RESISTOR	15K 1/8W 5%	
	R678	OW07-15273-50T	CARBON RESISTOR	27K 1/8W 5%	
	SW601	OW16-10602-01W	PUSH SWITCH	6P2T PS62D01N	
	T605	OW08-00011-00	REC. BIAS	OSC BLK-900-011	

■ Electrical parts list (Display board)

Block No. 05

△	Item	Parts number	Parts name	Remarks	Area
	C401	OW05-03821-06T	C CAPACITOR	820PF N500 J821 500A	
	C402	OW05-03104-06T	C CAPACITOR	0.1MF Y500 Z104 500A	
	C403	OW05-03104-06T	C CAPACITOR	0.1MF Y500 Z104 500A	
	C404	OW05-03102-06T	C CAPACITOR	1000PF K102	
	C405	OW05-03102-06T	C CAPACITOR	1000PF K102	
	C408	OW06-16106-01	E CAPACITOR	10MF 16V	
	IC401	OW03-06553-00	IC	PT6553	
	IC402	OW02-66938-00	SENSOR	RPM6938-V4	
	J410	OW07-25000-50P	CARBON RESISTOR	OR05 COL R	
	LE401	OW02-30022-02G	LED	LT0311G-22 RED	
	R401	OW07-25683-60K	CARBON RESISTOR	68K 1/16 683J	
	R402	OW07-25103-60K	CARBON RESISTOR	10K 1/16 103J	
	R407	OW07-25103-60K	CARBON RESISTOR	10K 1/16 103J	
	R410	OW07-25101-60K	CARBON RESISTOR	100 1/16 101J	
	SW401	OW16-10101-08S	TACT SWITCH	EVQJAE05R H=5MM	
	SW402	OW16-10101-08S	TACT SWITCH	EVQJAE05R H=5MM	
	SW403	OW16-10101-08S	TACT SWITCH	EVQJAE05R H=5MM	
	SW404	OW16-10101-08S	TACT SWITCH	EVQJAE05R H=5MM	
	SW405	OW16-10101-08S	TACT SWITCH	EVQJAE05R H=5MM	
	SW406	OW16-10101-08S	TACT SWITCH	EVQJAE05R H=5MM	
	SW407	OW16-10101-08S	TACT SWITCH	EVQJAE05R H=5MM	
	SW408	OW16-10101-08S	TACT SWITCH	EVQJAE05R H=5MM	
	SW409	OW16-10101-08S	TACT SWITCH	EVQJAE05R H=5MM	
	SW410	OW16-10101-08S	TACT SWITCH	EVQJAE05R H=5MM	
	SW411	OW16-10101-08S	TACT SWITCH	EVQJAE05R H=5MM	
	SW412	OW16-10101-08S	TACT SWITCH	EVQJAE05R H=5MM	
	SW413	OW16-10101-08S	TACT SWITCH	EVQJAE05R H=5MM	
	SW414	OW16-10101-08S	TACT SWITCH	EVQJAE05R H=5MM	
	SW415	OW16-10101-08S	TACT SWITCH	EVQJAE05R H=5MM	
	SW416	OW16-10101-08S	TACT SWITCH	EVQJAE05R H=5MM	
	SW417	OW16-10101-08S	TACT SWITCH	EVQJAE05R H=5MM	
△	SW420	OW16-10202-47B	PUSH SWITCH	PS-22E06L-N	

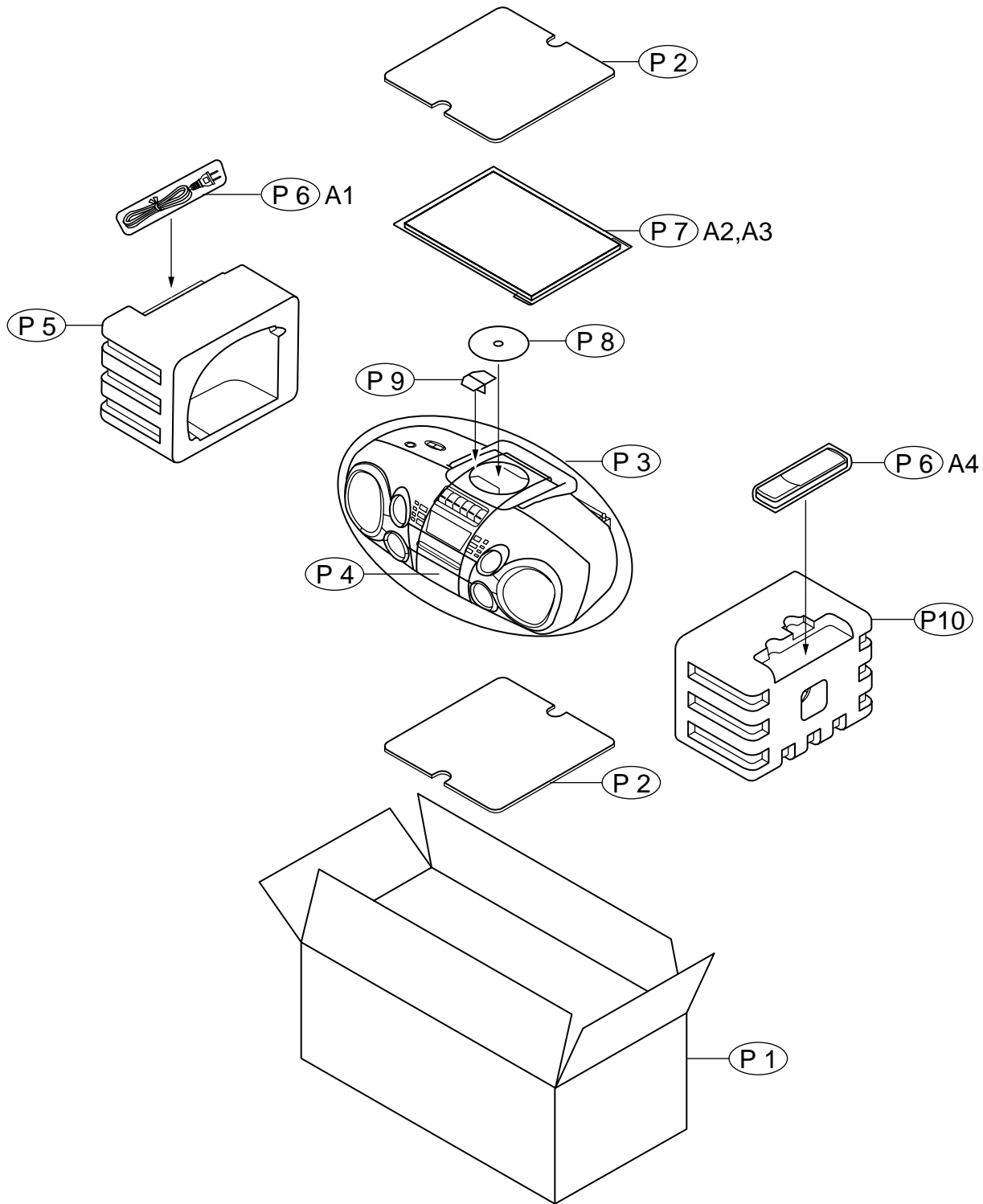
Packing materials and accessories parts list

Block No.

M	3	M	M
---	---	---	---

Block No.

M	5	M	M
---	---	---	---



Parts list (Packing)

Block No. M3MM

△	Item	Parts number	Parts name	Q'ty	Description	Area
	P 1	OW83-05000-00	GIFT BOX	1		
	P 2	OW89-05000-00	CARTON SHEET	2		
	P 3	OW85-92625-04	POLY BAG	1	SET	
	P 4	OW85-40440-02A	POLY SHEET	1		
	P 5	OW86-05000-00	POLY FORM L	1		
	P 6	OW85-00025-01A	POLY BAG	2		
	P 7	OW85-91014-02	POLY BAG	1	INSTRUCTIONS	
	P 8	OW81-01000-01	CUSHION	1	TURN TABLE	
	P 9	OW89-09023-36	CD PROTECT BOARD	1	E/F/P	
	P10	OW86-05000-01	POLY FORM R	1		

Parts list (Accessories)

Block No. M5MM

△	Item	Parts number	Parts name	Q'ty	Description	Area
△	A 1	OW30-00030-03	AC POWER CORD	1	UL SPT2 LP5W LS	
	A 2	OW88-05000-01	INSTRUCTIONS	1	ENG	J
		OW88-05000-02	INSTRUCTIONS	1	ENG,FRE	C
	A 3	OW88-05000-03	WARRANTY CARD	1		C
		OW88-05000-00	WARRANTY CARD	1		J
	A 4	OWU-RE-JVC	REMOTE UNIT	1		